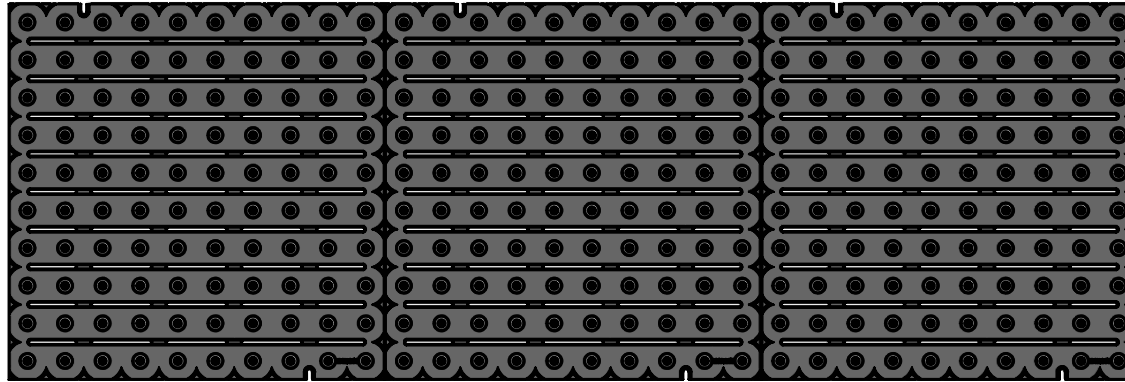
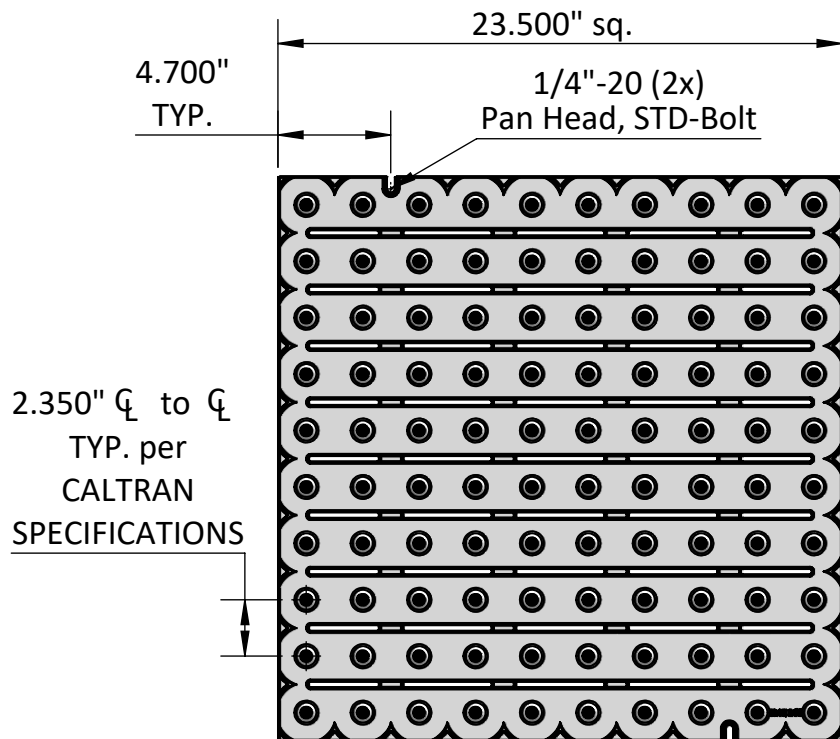


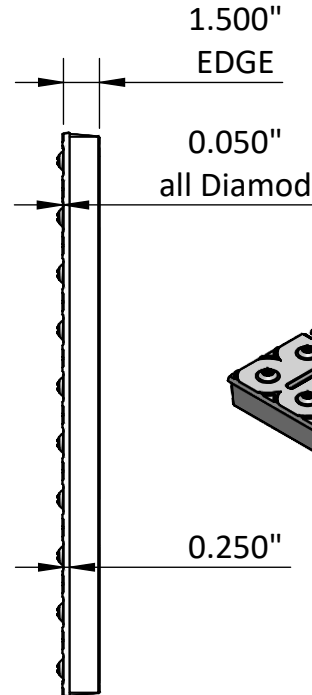
3 ARRAY
scale 1:12



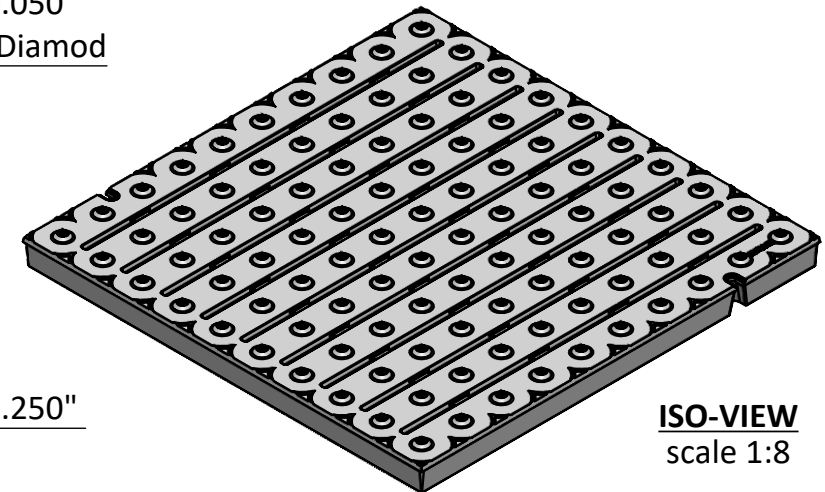
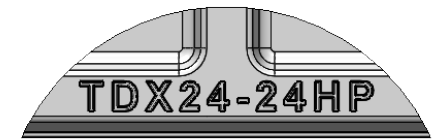
TOP VIEW
scale 1:8



SIDE VIEW
scale 1:8



CASTING-ID
scale 1:2



ISO-VIEW
scale 1:8

PATENT PENDING

NOTES:

1. Heelproof: No thru openings greater than 1/4".
2. Ships in pieces: 1
3. Due to casting inconsistencies, all dimensions are nominal.

Made in USA ©2026 Iron Age Designs

TACTA DRAIN DOME 24" x 24" Heel Proof -Trench Grate



Material: Ductile Iron 65-45-12	Weight: 107.50 lbs.	Free Drain Area: 34.92 in/sq., or 6.32 %	By: MS	Checked: MS	Date: 4-23-26
Finish: Raw	Edge: 1.500"	Flow Rate: 45.75 GPM, or .101 CuFt./sec.	© Registration: Pending		Scale: NTS
Fits: Iron Age Custom Frame SOLD SEPARATLY	Product ID: TDX24-24I99HP	Drawing Name: 01_TactaDOME_I_24x24HP_TrenchGrate_Iron			