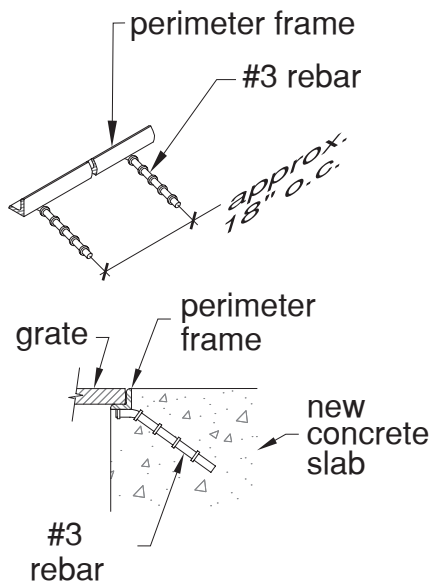
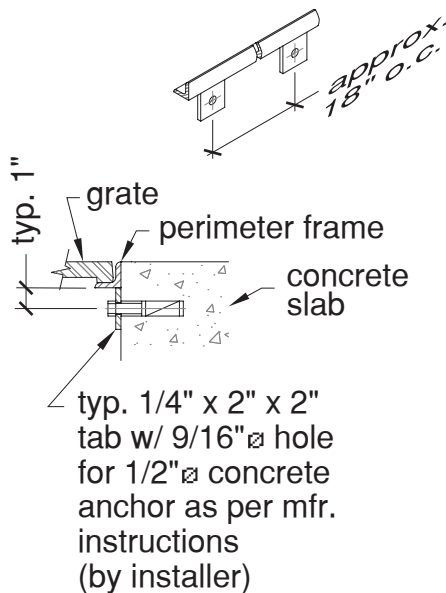


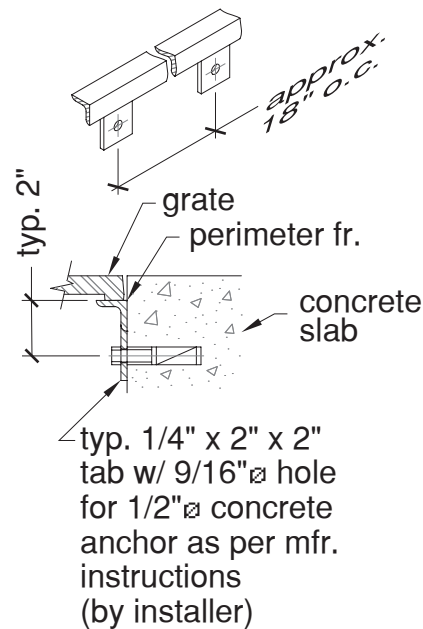
Frame Types



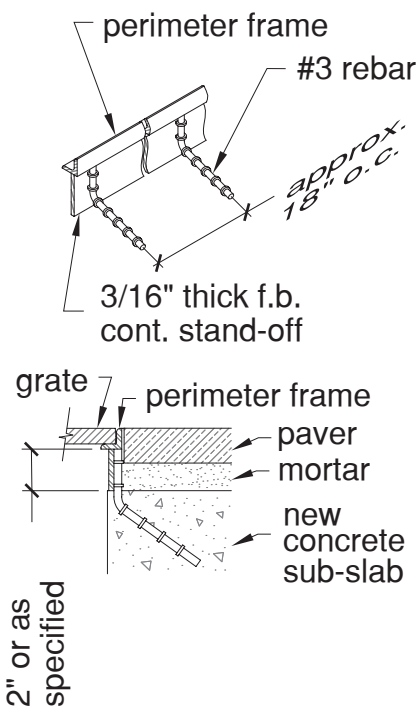
"E"
EMBED
used with new
surround slabs



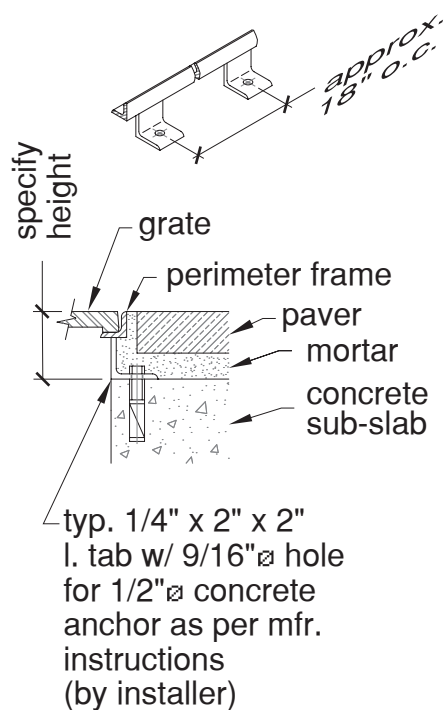
"R"
RETRO TAB
used with existing
surround slabs



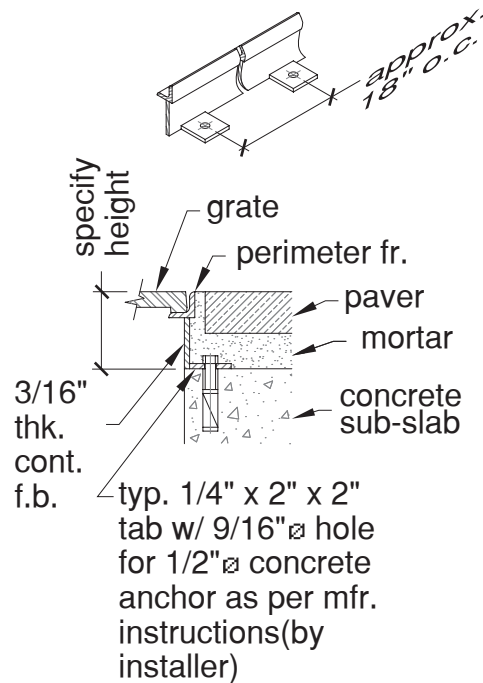
"IR"
INVERTED RETRO TAB
used with existing
surround slabs



"SOE"
STAND-OFF EMBED
used with pavers,
sand setting bed



"SOR"
STAND-OFF RETRO TAB
used with pavers,
grout setting bed



"SOC"
**STAND-OFF
RETRO CONTINUOUS**
used with pavers,
continuous skirt



IRON AGE
— DESIGNS —