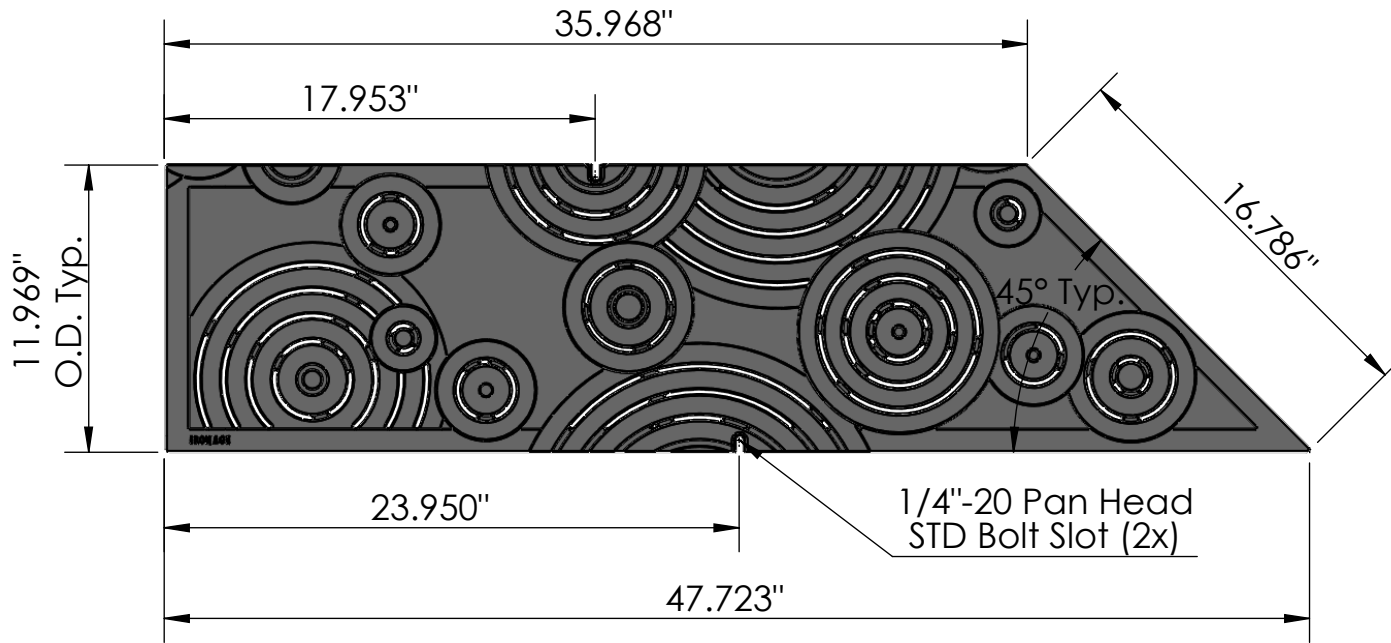
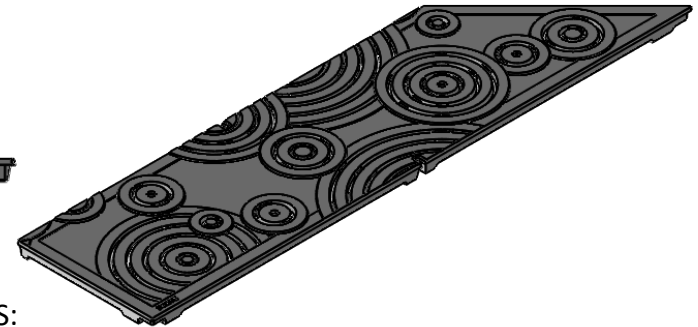


TOP VIEW
scale 1:12

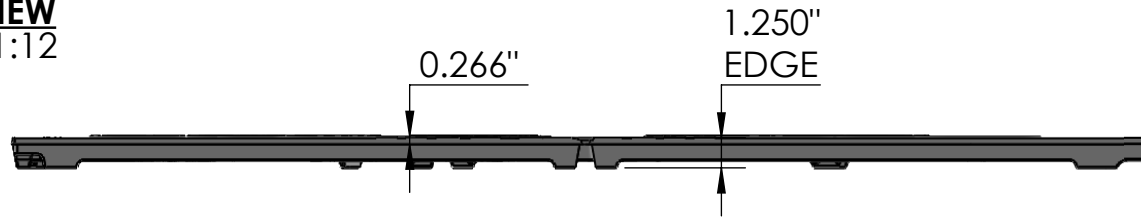


CASTING-ID
scale 1:2

ISO-VIEW
scale 1:12



SIDE VIEW
scale 1:12




NOTES:

1. Heelproof: No thru openings greater than 1/4".
2. Due to casting inconsistencies, all dimensions are nominal.
3. Pedestrian Load Only.

Made in USA

©2023 Iron Age Designs

Oblio 12"x 48" Mitred Extension Panel - Heel Proof - Left Panel

 IRON AGE DESIGNS Telephone 206.276.0925 www.ironagegrates.com	Material: Ductil Iron 65-45-12 or better Finish: Raw	Weight: 65.27 lbs. Edge: 1.250"	Free Drain Area: 31.01 in/sq. or 6.18 % Flow Rate: 40.63 GPM	By: RJ Checked: MS © Registration: Pending	Date: 6-3-25 Scale: NTS	
	Fits: Iron Age Custom Frame SOLD SEPARATELY	Product ID: OX12-48I99HPML	Drawing Name: 01_OBL_I_12x48HP_L_TreeGrate_ExtensionPanel			