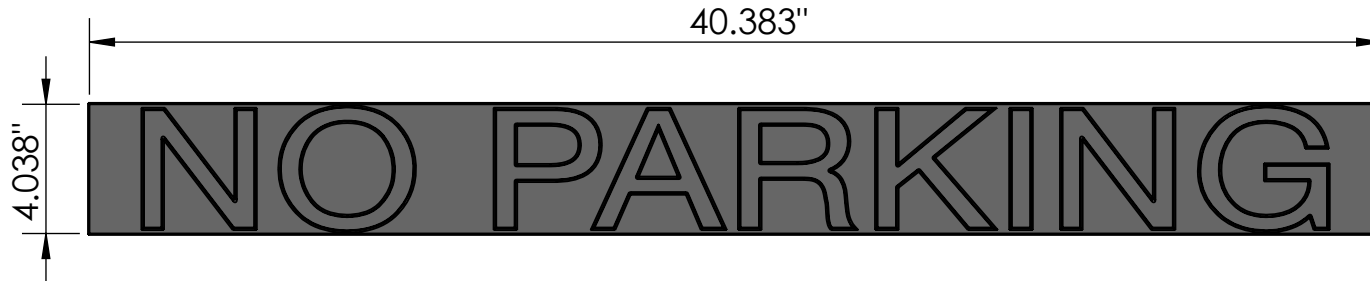
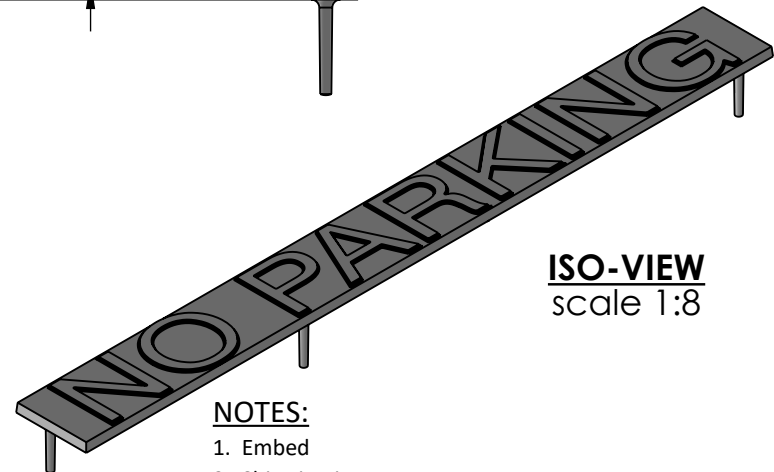
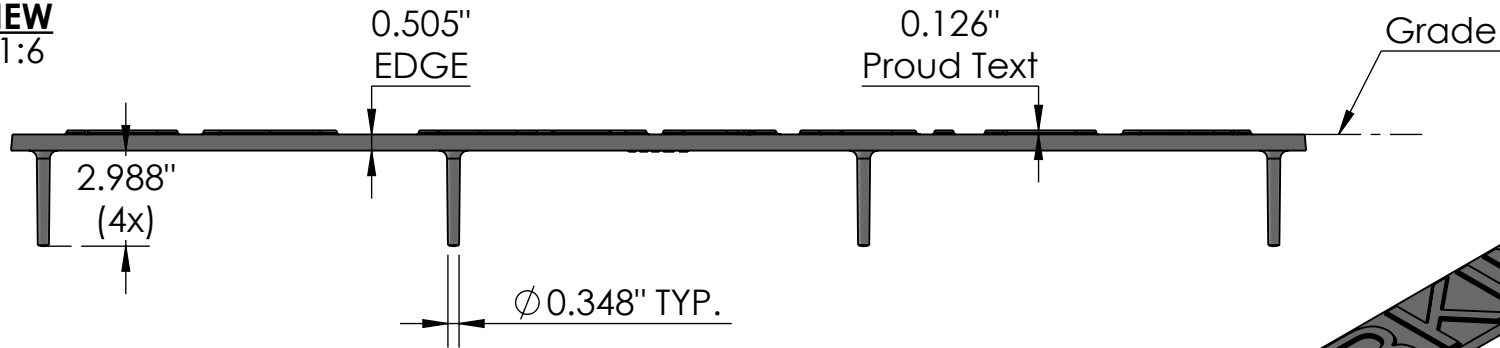


**TOP VIEW**  
scale 1:6



**CASTING-ID**  
scale 1:2

**SIDE VIEW**  
scale 1:6




**ISO-VIEW**  
scale 1:8

**NOTES:**

1. Embed
2. Ships in pieces: 1
3. Due to casting inconsistencies, all dimensions are nominal.

Made in USA ©2022 Iron Age Designs

**No Parking 4" x 40" Embed**

 <b>IRON AGE DESIGNS</b> Telephone 206.276.0925 www.ironagedesigns.com	<b>Material:</b> Ductile Iron 65-45-12	<b>Weight:</b> 23.33 lbs.	<b>Free Drain Area:</b> N/A in/sq., or N/A %	<b>By:</b> MS <b>Checked:</b> MS <b>Date:</b> 1-13-23
	<b>Finish:</b> Raw	<b>Edge:</b> 0.500"	<b>Flow Rate:</b> N/A GPM, or N/A CuFt./sec.	<b>© Registration:</b> Pending <b>Scale:</b> NTS
	<b>Fits:</b> Embed	<b>Product ID:</b> NO440I99	<b>Drawing Name:</b> 01_NoParking_Embed_Iron	