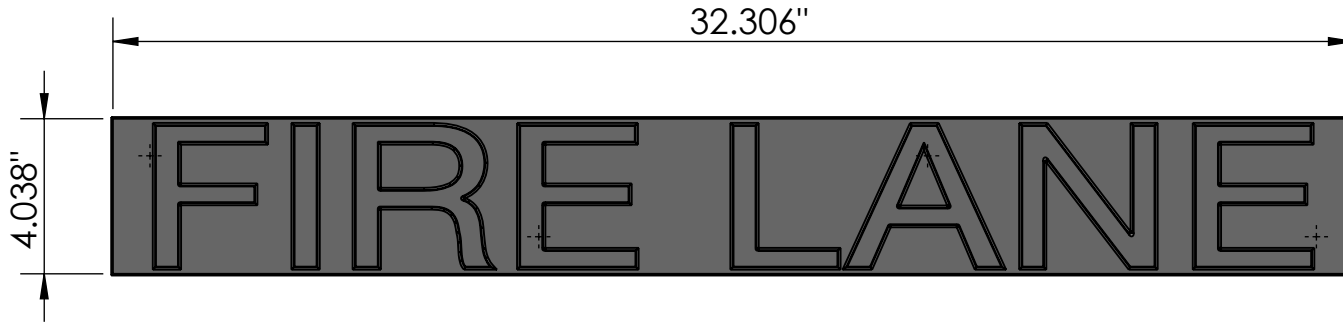
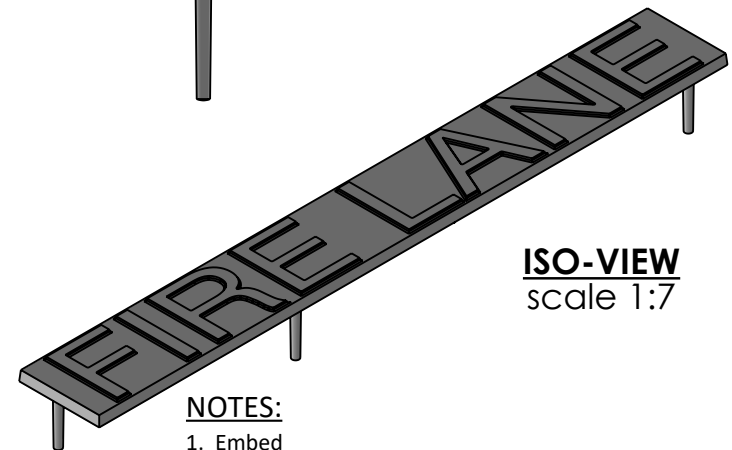
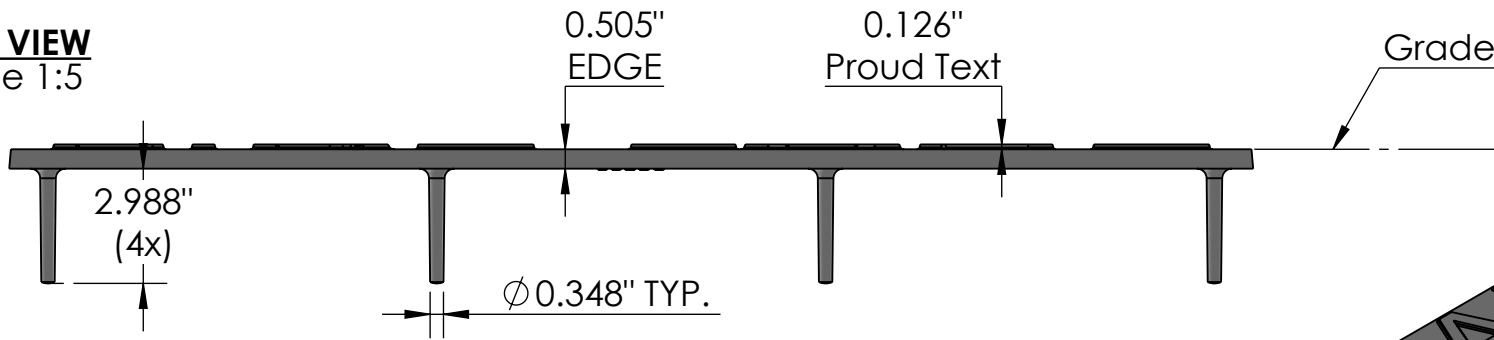


TOP VIEW
scale 1:5



CASTING-ID
scale 1:2

SIDE VIEW
scale 1:5




ISO-VIEW
scale 1:7

NOTES:

1. Embed
2. Ships in pieces: 1
3. Due to casting inconsistencies, all dimensions are nominal.

Made in USA ©2022 Iron Age Designs

Fire Lane 4" x 32" Embed

 IRON AGE DESIGNS Telephone 206.276.0925 www.ironagegrates.com	Material: Ductile Iron 65-45-12	Weight: 18.18 lbs.	Free Drain Area: N/A in/sq., or N/A %	By: MS Checked: MS Date: 1-13-23
	Finish: Raw	Edge: 0.500"	Flow Rate: N/A GPM, or N/A CuFt./sec.	© Registration: Pending Scale: NTS
	Fits: Embed	Product ID: FL432199	Drawing Name: 01_FireLane_Embed_Iron	