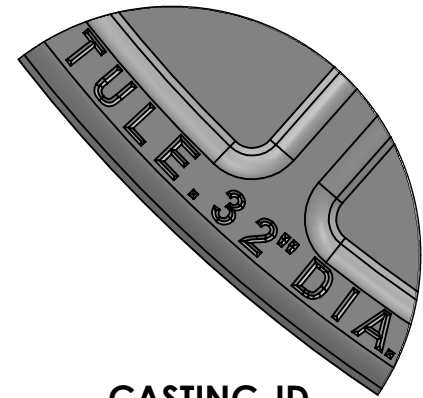
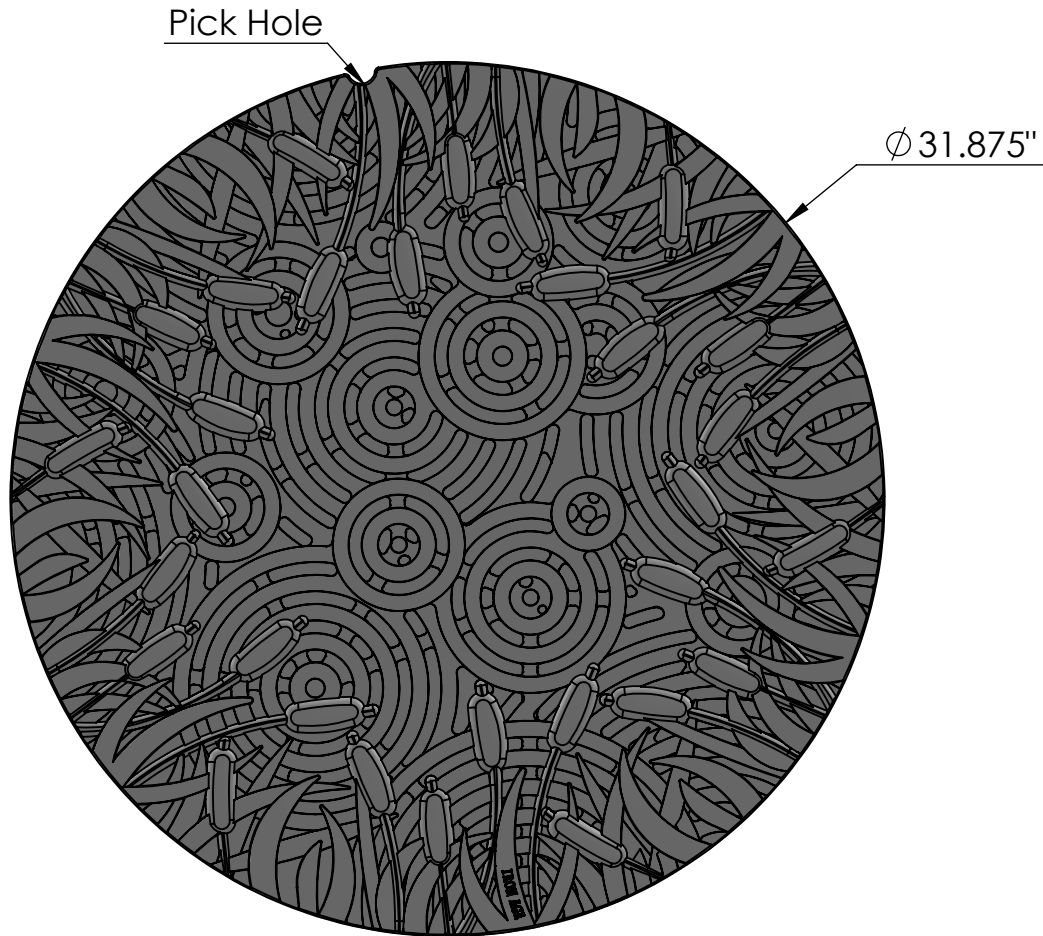
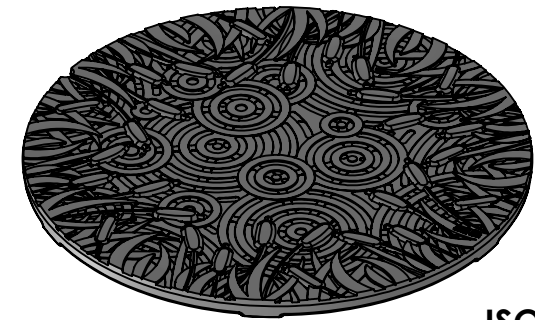
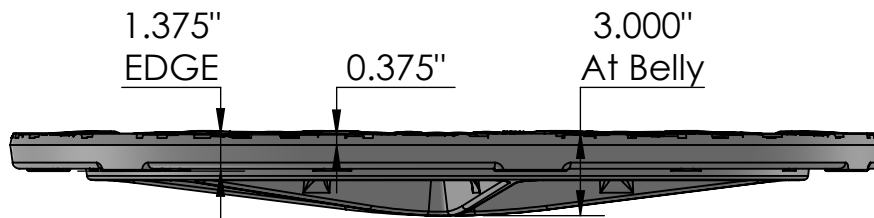


TOP VIEW
scale 1:7



CASTING-ID
scale 1:2

SIDE VIEW
scale 1:7




ISO-VIEW
scale 1:12

NOTES:

1. ADA Compliant: Solid.
2. Ships in pieces: 1
3. Due to casting inconsistencies, all dimensions are nominal.

Made in USA ©2019 Iron Age Designs

Tulie 32" Dia. Manhole Cover - Heavy Duty

 IRON AGE DESIGNS Telephone 206.276.0925 www.ironagegrates.com	Material: Cast Iron CL30 or Better	Weight: 147.06 lbs.	Free Drain Area: N/A in/sq., or N/A %	By: RJ Checked: MS Date: 7-14-25
	Finish: Raw	Edge: 1.375"	Flow Rate: N/A GPM, or N/A CuFt./sec.	© Registration: Pending Scale: NTS
	Fits: EJ™ V-1600-4 Drain Body By Other	Product ID: TUE32Dial99HDMH	Drawing Name: 02_TUL_I_32dia_Manhole_Iron	