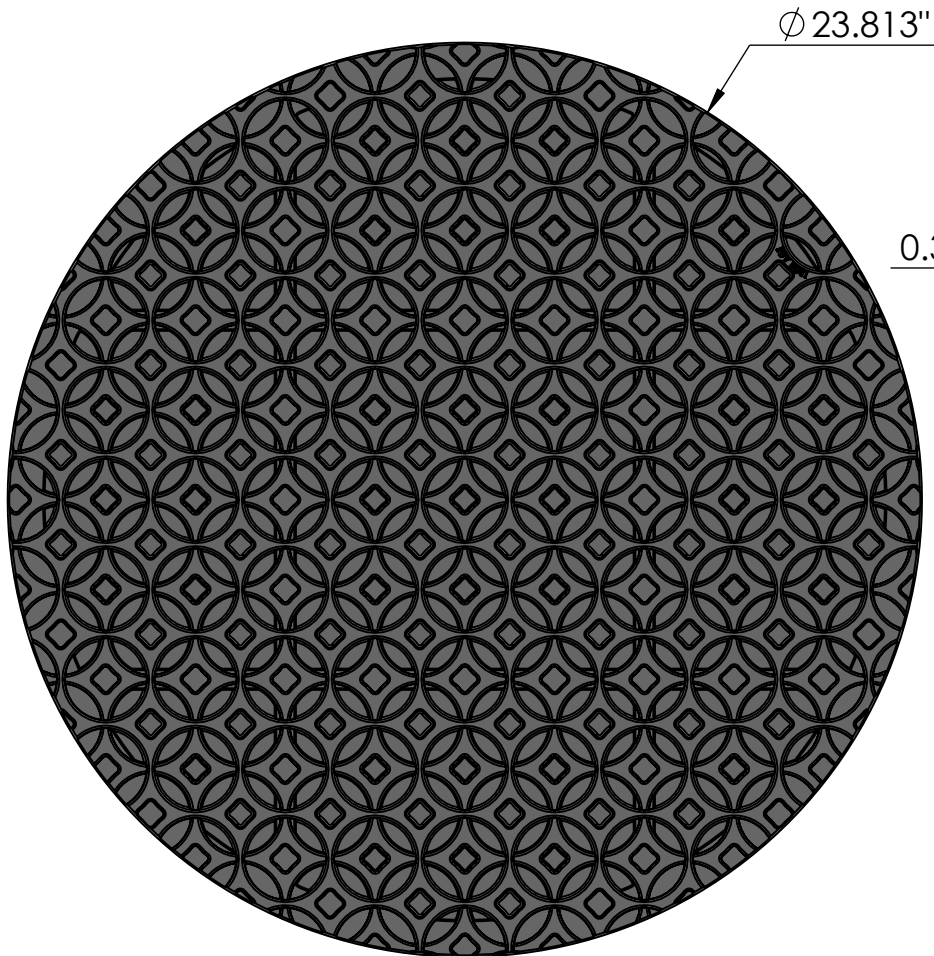
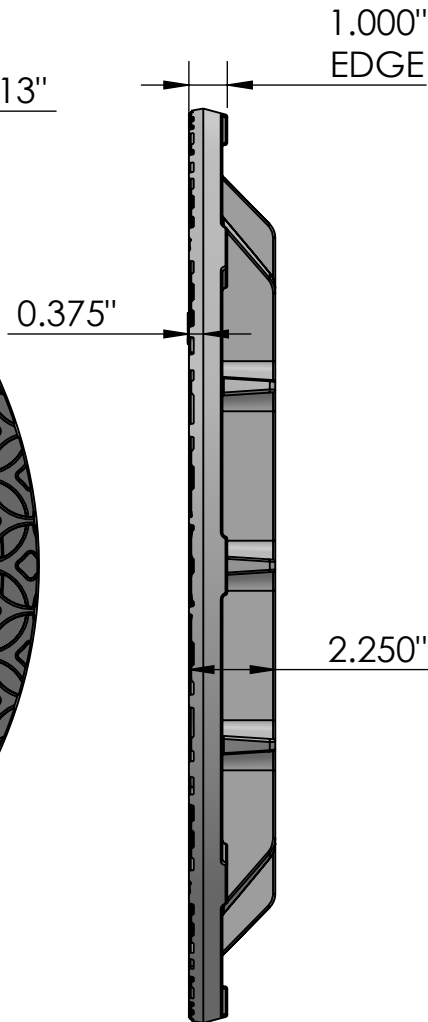


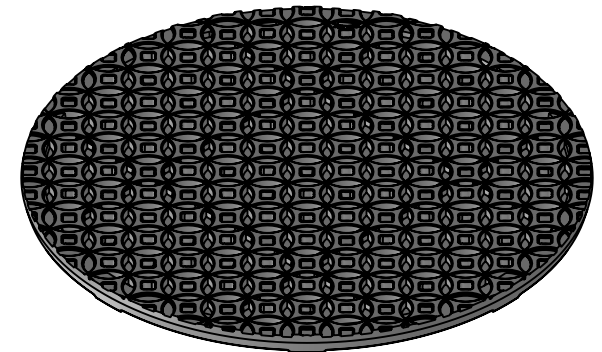
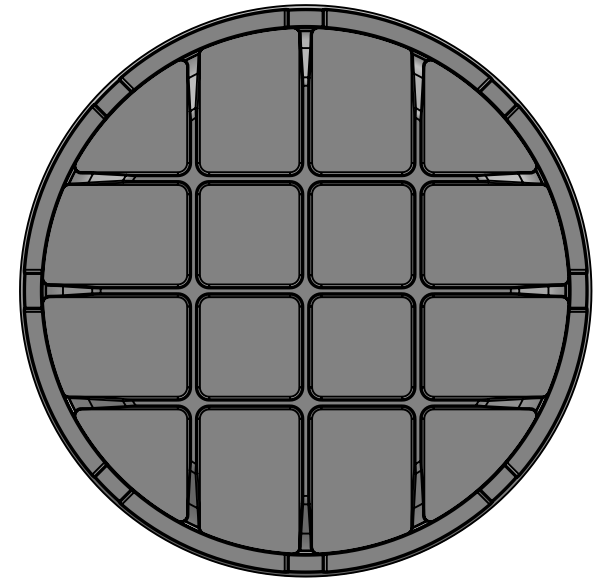
TOP VIEW
scale 1:4



SIDE VIEW
scale 1:4



BACK VIEW
scale 1:8




ISO-VIEW
scale 1:8

NOTES:

1. ADA Compliant: Solid.
2. Ships in pieces: 1
3. Due to casting inconsistencies, all dimensions are nominal.

Made in USA ©2013 Iron Age Designs

Interlaken 24" Dia. Manhole Cover - Heavy Duty

 IRON AGE DESIGNS Telephone 206.276.0925 www.ironagegrates.com	Material: Ductile Iron 65-45-12	Weight: 72.76 lbs.	Free Drain Area: N/A in/sq., or N/A %	By: MS	Checked: MS	Date: 3-15-23
	Finish: Raw	Edge: 1.000"	Flow Rate: N/A GPM, or N/A CuFt./sec.	© Patent: US D575,881 S	Scale: NTS	
	Fits: D & L A-1043-R1 Deeter 1256 Frame	Product ID: ID24DiaD51HDMH	Drawing Name: 09_INT_24Dia_MHcover_DuctileIron			