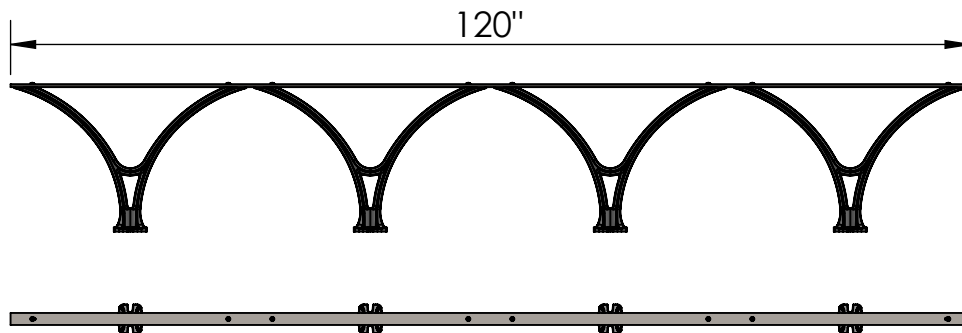
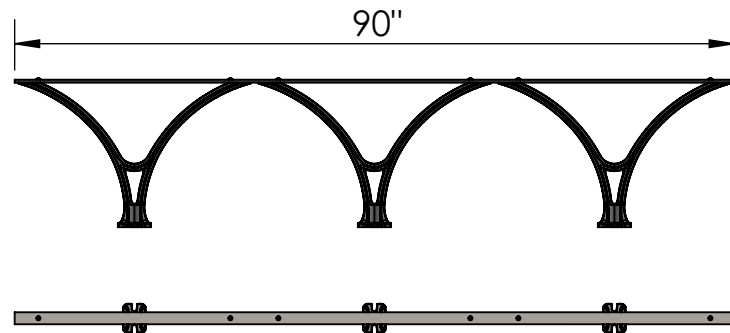


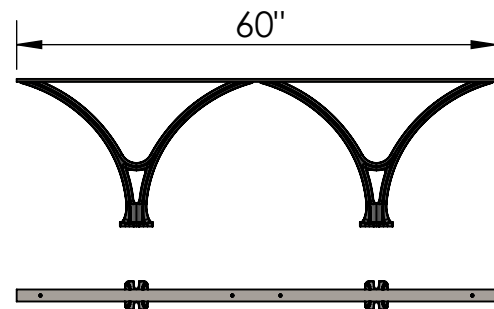
Section of  
4 Castings



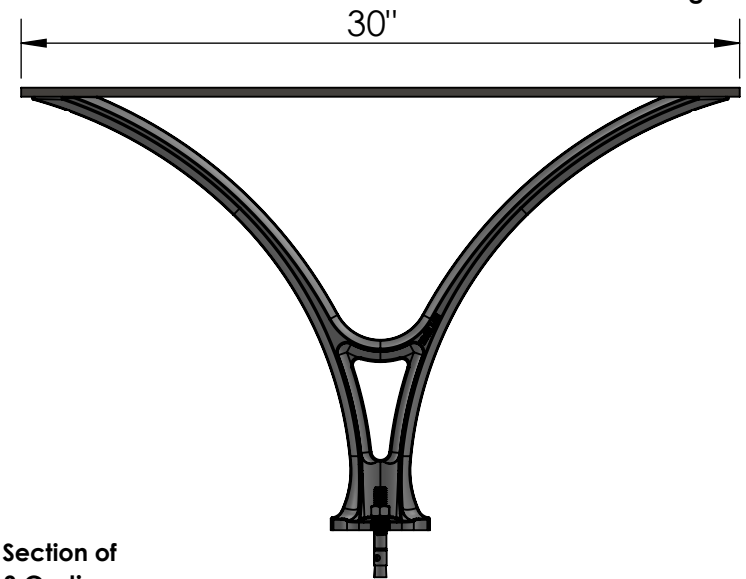
Section of  
3 Castings



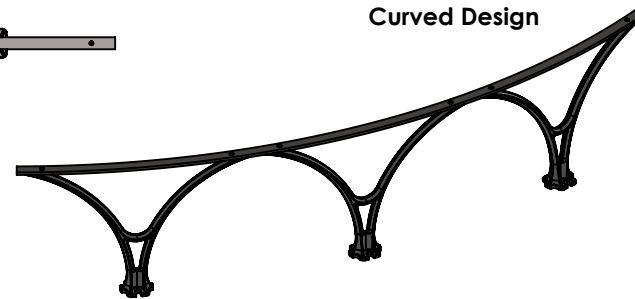
Section of  
2 Castings



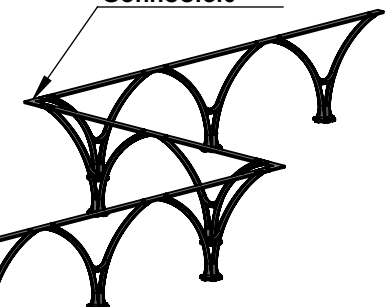
Section of  
1 Casting



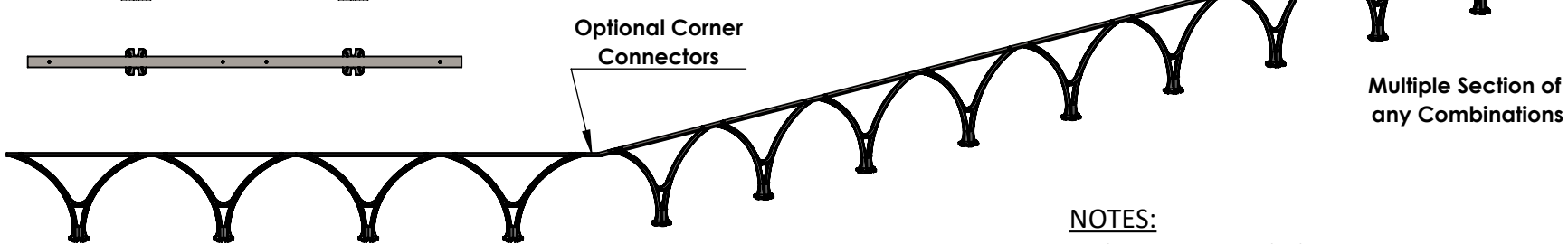
Section of  
3 Castings  
Curved Design



Optional Corner  
Connectors



Optional Corner  
Connectors




Multiple Section of  
any Combinations

**NOTES:**

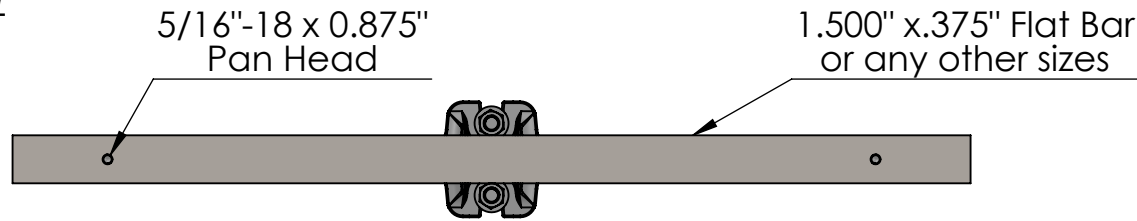
1. Ships in pieces: multiple
2. Due to casting inconsistencies, all dimensions are nominal.

Made in USA ©2021 Iron Age Designs

**Monroe Planter Fence System**

 <b>IRON AGE DESIGNS</b> Telephone 206.276.0925 www.ironagedesigns.com	Material: Ductile Iron 65-45-12	Weight: N/A lbs.	Free Drain Area: N/A in/sq., or N/A %	By: MS	Checked: MS	Date: 5-25-23
	Finish: Powder Coat	Edge: N/A	Flow Rate: N/A GPM, or N/A CuFt./sec.	© Registration: VA 2-344-910		Scale: NTS
	Fits: Any Combinations	Product ID: MOFP	Drawing Name: 01_Monroe_PlanterFenceSystem			

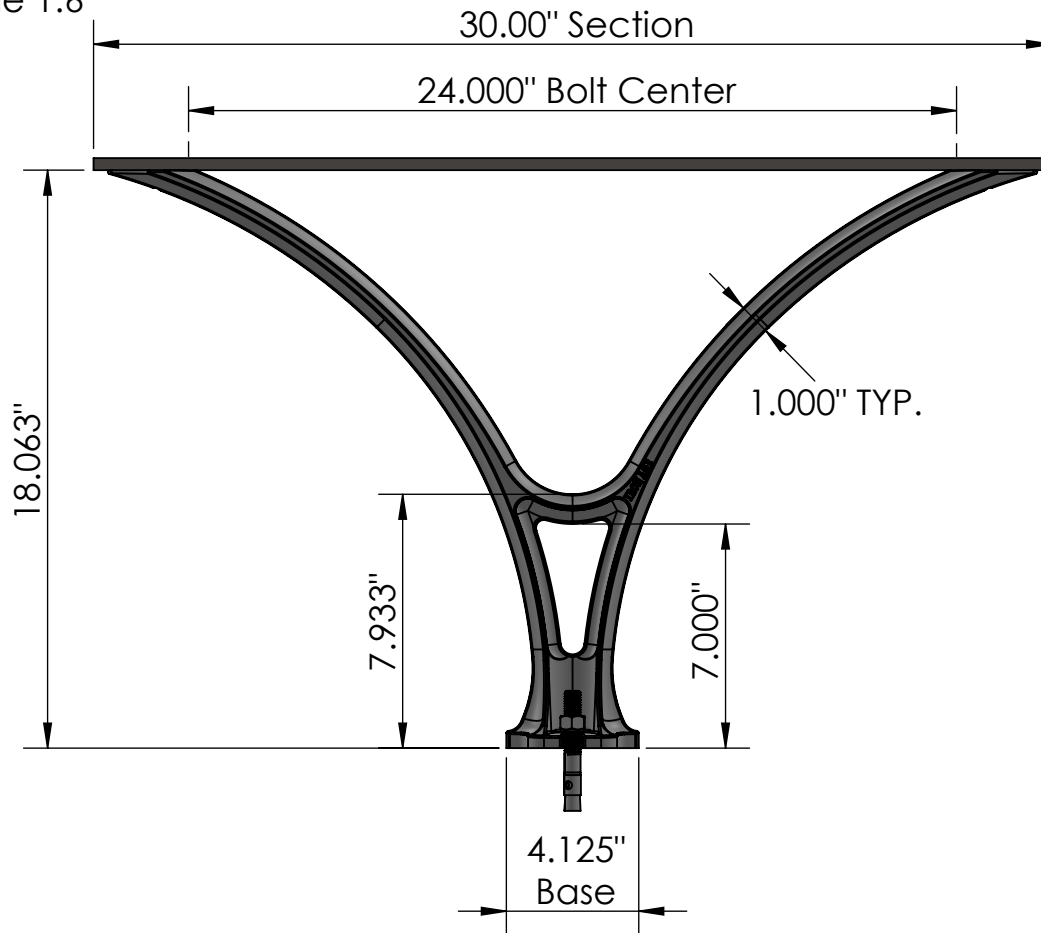
**TOP VIEW**  
scale 1:6



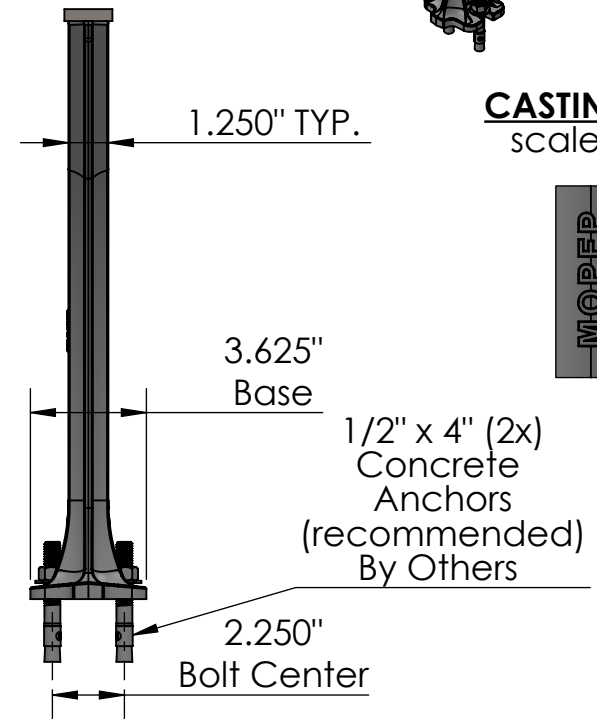
**ISO-VIEW**  
scale 1:6



**FRONT VIEW**  
scale 1:6



**SIDE VIEW**  
scale 1:6



**CASTING-ID**  
scale 1:2




**NOTES:**

1. Ships in pieces: multiple
2. Due to casting inconsistencies, all dimensions are nominal.

Made in USA ©2021 Iron Age Designs

**Monroe Planter Fence System - Post Casting**

 <b>IRON AGE DESIGNS</b> Telephone 206.276.0925 www.ironagegrates.com	<b>Material:</b> Ductile Iron 65-45-12	<b>Weight:</b> 11.31 lbs.	<b>Free Drain Area:</b> N/A in/sq., or N/A %	<b>By:</b> MS <b>Checked:</b> MS <b>Date:</b> 5-25-23
	<b>Finish:</b> Powder Coat	<b>Edge:</b> 1.250"	<b>Flow Rate:</b> N/A GPM, or N/A CuFt./sec.	<b>© Registration:</b> VA 2-344-910 <b>Scale:</b> NTS
	<b>Fits:</b> Monroe Fence System	<b>Product ID:</b> MOFP	<b>Drawing Name:</b> 01_MO_FenceSystem_Post	