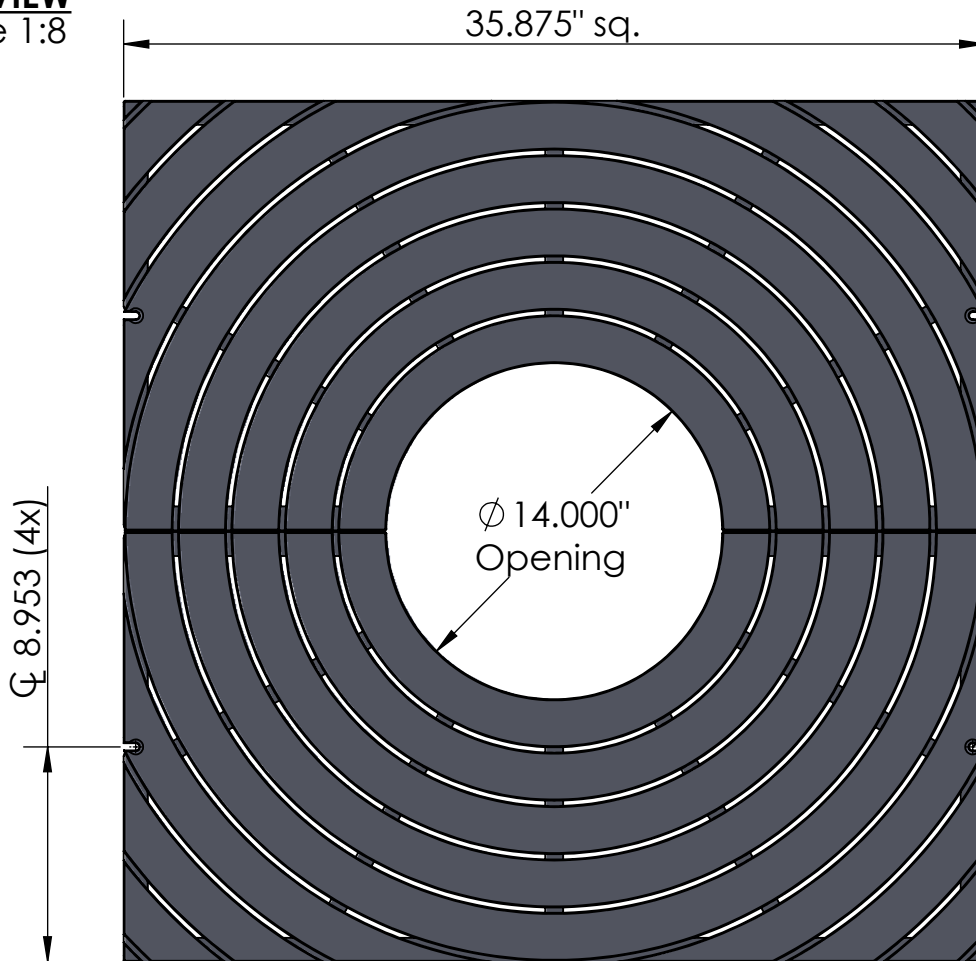


**TOP VIEW**  
scale 1:8

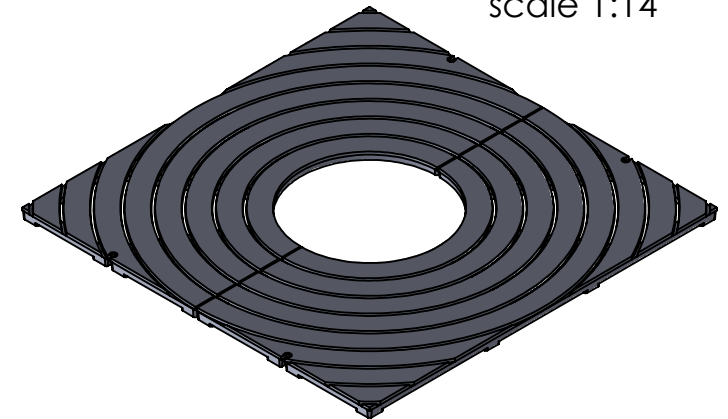


**CASTING-ID**  
scale 1:1.5

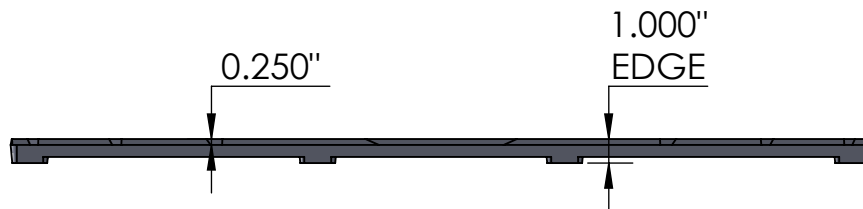


1/4"-20 (4x)  
Pan Head  
STD-Bolt

**ISO-VIEW**  
scale 1:14



**SIDE VIEW**  
scale 1:8




**NOTES:**

1. Heelproof: No thru openings greater than 1/4".
2. Pieces per Set: 2
3. Due to casting inconsistencies, all dimensions are nominal.
4. Center Opening Options: Cast at 14".
5. Pedestrian Load Only.

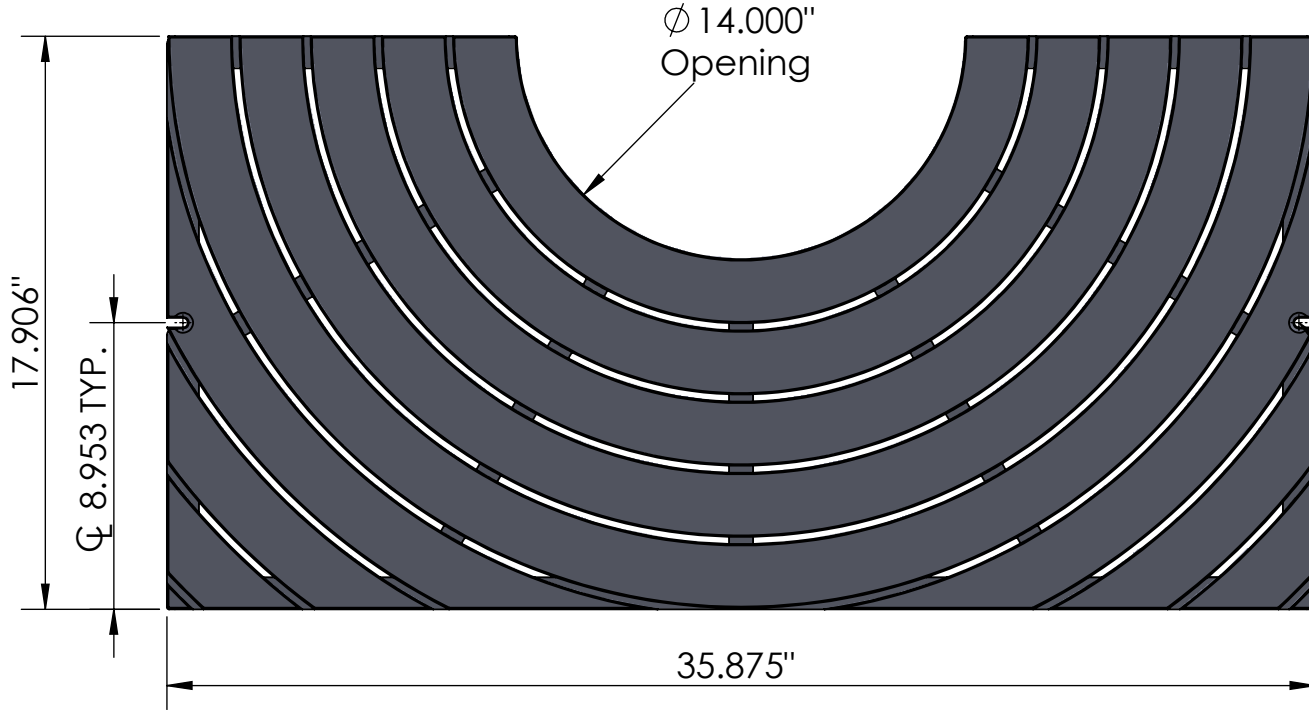
Made in USA

©2015 Iron Age Designs

**Bullseye 3' x 3' Tree Grate Heel Proof**

 <b>IRON AGE DESIGNS</b> Telephone 206.276.0925 www.ironagegrates.com	<b>Material:</b> Cast Aluminum 356-T6	<b>Weight:</b> 53.86 lbs.	<b>Free Drain Area:</b> 83.09 in/sq. or 7.34 %	<b>By:</b> MS <b>Checked:</b> MS	<b>Date:</b> 5-21-21
	<b>Finish:</b> Raw	<b>Edge:</b> 1.000"	<b>Flow Rate:</b> 108.85 GPM	<b>© Registration:</b> Pending	<b>Scale:</b> NTS
	<b>Fits:</b> Iron Age Custom Frame SOLD SEPARATELY	<b>Product ID:</b> BUX36-36A99TGHP	<b>Drawing Name:</b> 01_Bullseye_I_36x36HP_TreeGrate_Comp_Aluminum		

**TOP VIEW**  
scale 1:6

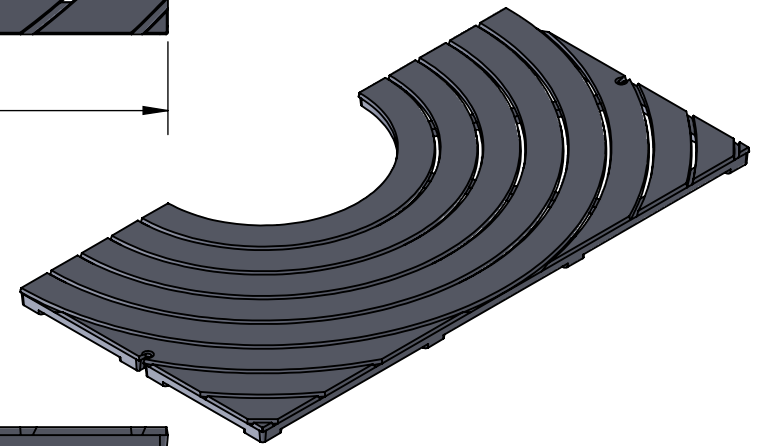


**CASTING-ID**  
scale 1:2

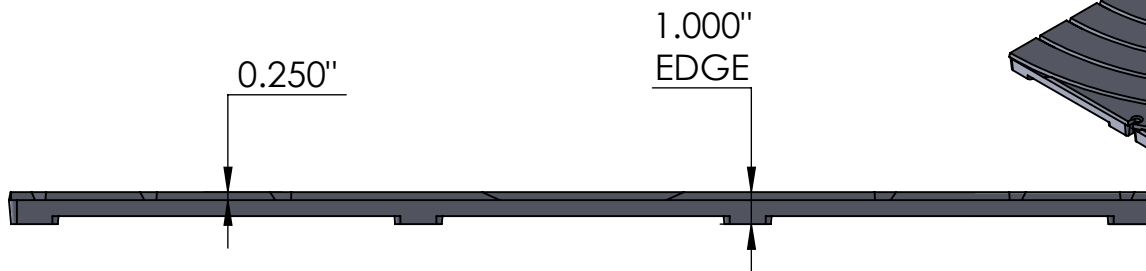


1/4"-20 (2x)  
Pan Head  
STD-Bolt

**ISO-VIEW**  
scale 1:8



**SIDE VIEW**  
scale 1:6




**NOTES:**

1. Heelproof: No thru openings greater than 1/4".
2. Due to casting inconsistencies, all dimensions are nominal.
3. Pedestrian Load Only.

Made in USA ©2015 Iron Age Designs

**Bullseye 3' x 3' Tree Grate Heel Proof - Half Panel**

 <b>IRON AGE DESIGNS</b> Telephone 206.276.0925 www.ironagegrates.com	<b>Material:</b> Cast Aluminum 356-T6	<b>Weight:</b> 26.93 lbs.	<b>Free Drain Area:</b> 41.54 in/sq. or 7.34 %	<b>By:</b> MS <b>Checked:</b> MS <b>Date:</b> 5-21-21
	<b>Finish:</b> Raw	<b>Edge:</b> 1.000"	<b>Flow Rate:</b> 54.24 GPM	<b>© Registration:</b> Pending <b>Scale:</b> NTS
	<b>Fits:</b> Iron Age Custom Frame SOLD SEPARATELY	<b>Product ID:</b> BUX36-36A99TGHP	<b>Drawing Name:</b> 01_Bullseye_I_36x36HP_TreeGrate_Aluminum	