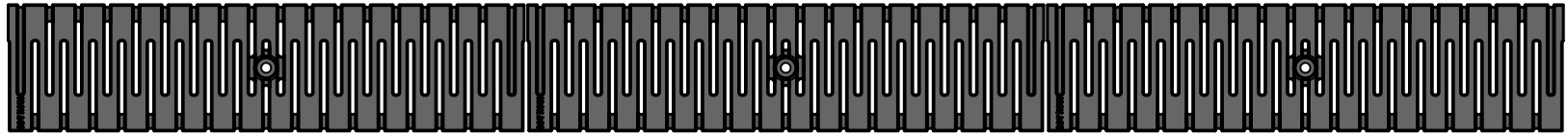
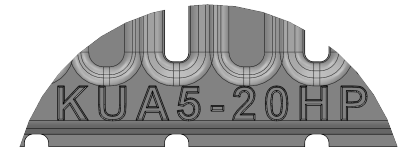
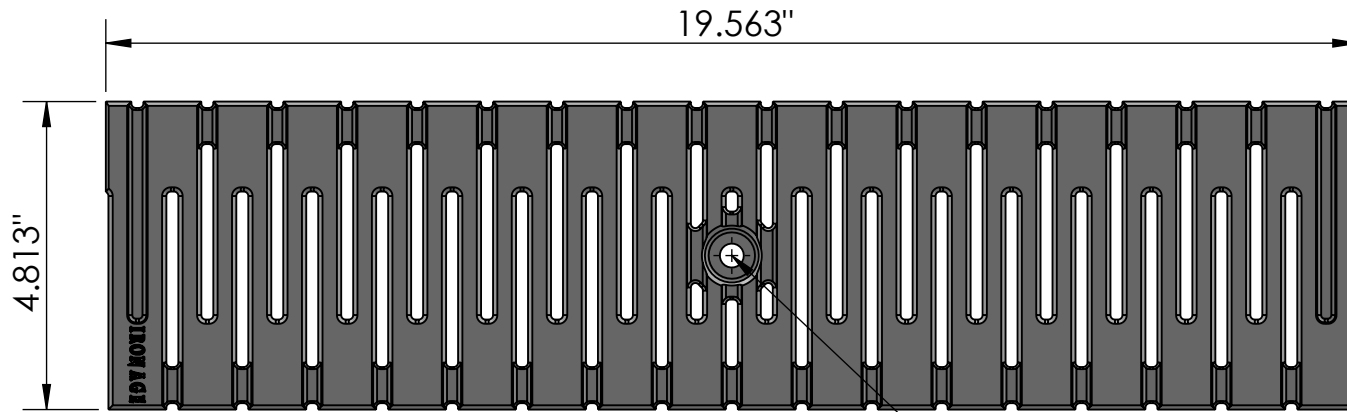


**3 ARRAY**  
scale 1:7



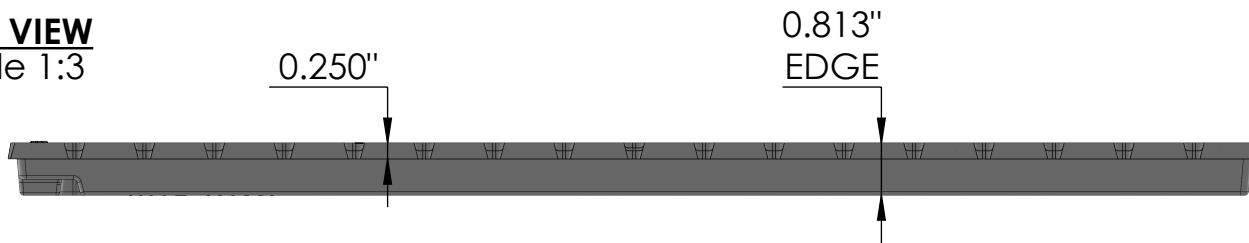
**TOP VIEW**  
scale 1:3



**CASTING-ID**  
scale 1:1.5

5/16"-18 Pan Head  
STD Bolt

**SIDE VIEW**  
scale 1:3




**ISO-VIEW**  
scale 1:7

**NOTES:**

1. ADA Compliant: No thru openings greater than ¼".
2. Ships in pieces: 1
3. Due to casting inconsistencies, all dimensions are nominal.

Made in USA ©2020 Iron Age Designs

**Kurf 5"x 20" Trench Grate - Heel Proof**

 <b>IRON AGE DESIGNS</b> Telephone 206.276.0925 www.ironagegrates.com	<b>Material:</b> Ductile Iron 65-45-12	<b>Weight:</b> 11.54 lbs.	<b>Free Drain Area:</b> 17.29 in/sq., or 18.30 %	<b>By:</b> MS <b>Checked:</b> MS <b>Date:</b> 1-18-23
	<b>Finish:</b> Raw	<b>Edge:</b> 0.8125"	<b>Flow Rate:</b> 22.65 GPM or 0.050 CuFt./sec.	<b>© Registration:</b> VA 2-246-526 <b>Scale:</b> NTS
	<b>Fits:</b> ABT® Polydrain® ACO™ K100/K100S/KS100, MEA® 1000 Series	<b>Product ID:</b> KUA5-20I21HP	<b>Drawing Name:</b> 02_Kurf_A_5x20HP_TrenchGrate	