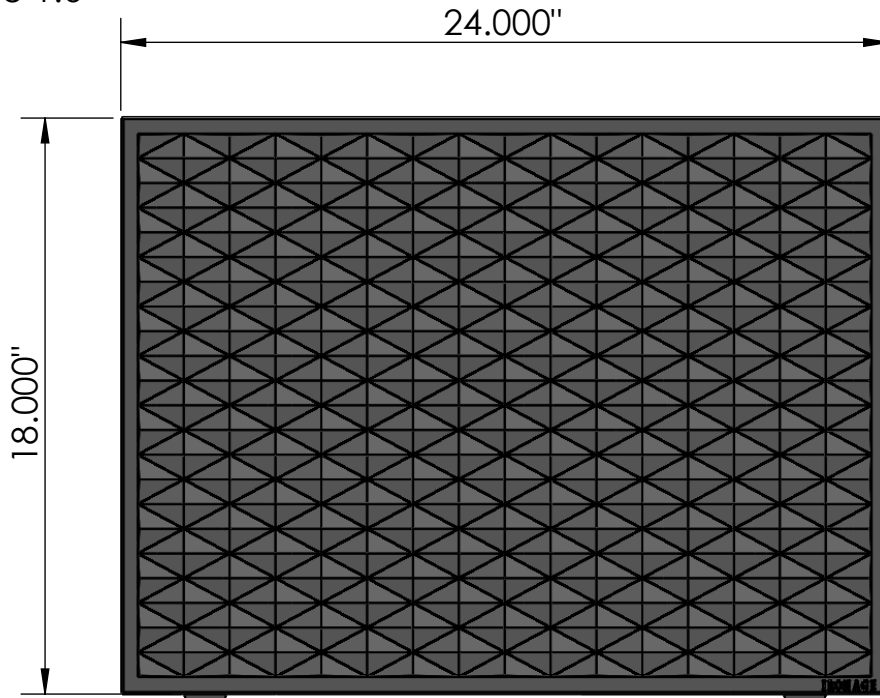


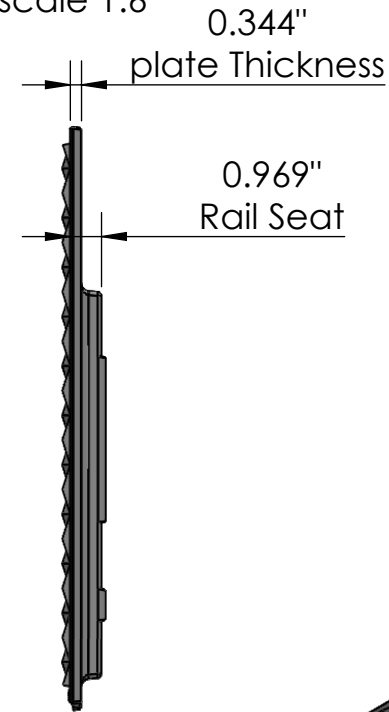
PLAN VIEW

scale 1:6



END VIEW

scale 1:6



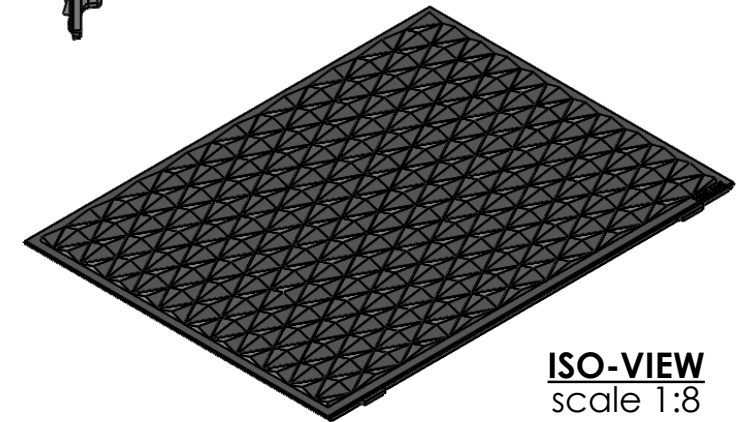
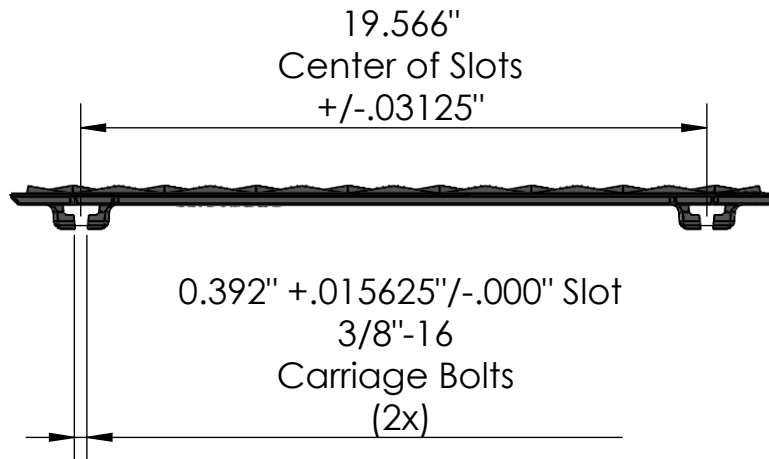
CASTING-ID

scale 1:3



TOP VIEW

scale 1:6



ISO-VIEW

scale 1:8

NOTES:

- 1. Ships in 1 piece.
- 2. Due to casting inconsistencies, all dimensions are nominal.

Made in USA ©2019 Iron Age Designs

Diamond Planter Box Panel 18" x 24"



Material: Cast Ductile Iron

Standard Raw
Finish:

Weight: 50.22 lbs.

Edge
Thickness: .344"

Product ID: PBRN18-24

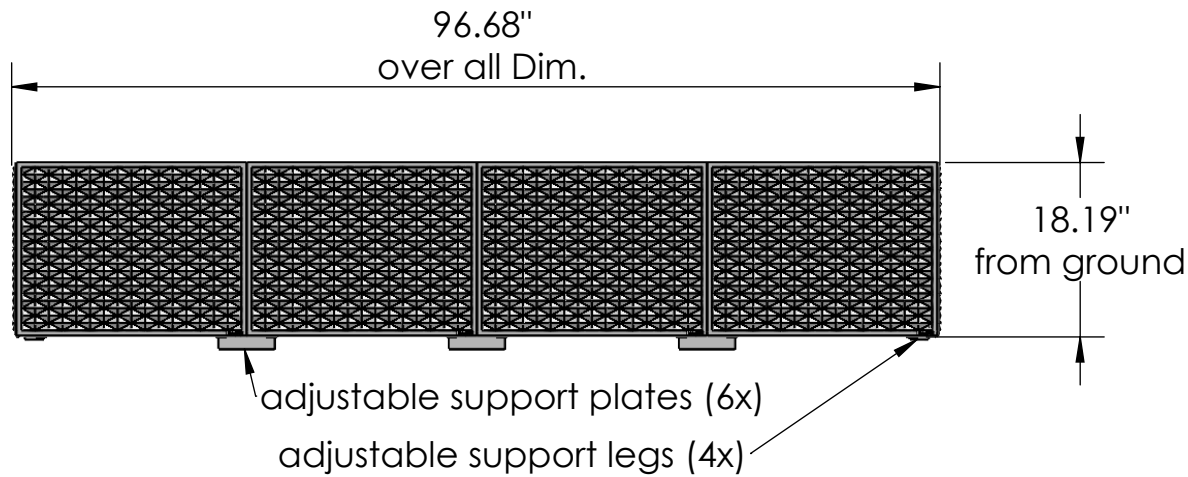
By: MS Date: 5/9/19

Job No: XXXXXXXX Scale: NTS

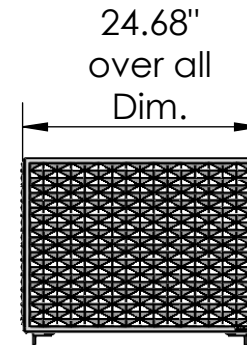
© Registration: XX-1-XXX-123

Drawing Name: 000-Diamond proto panel

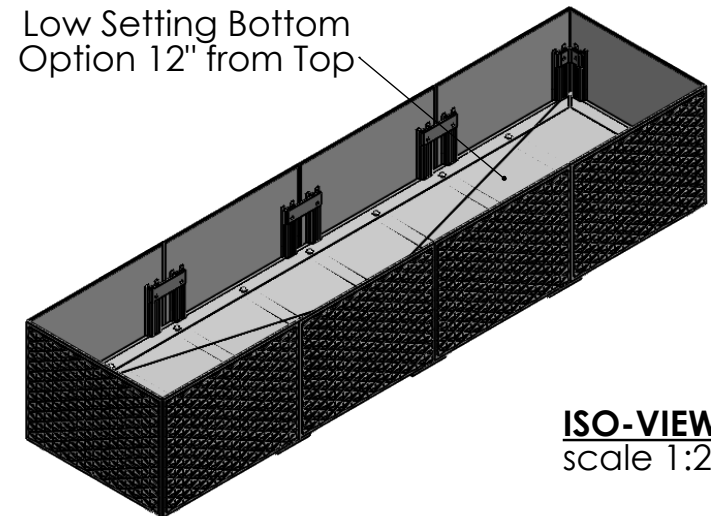
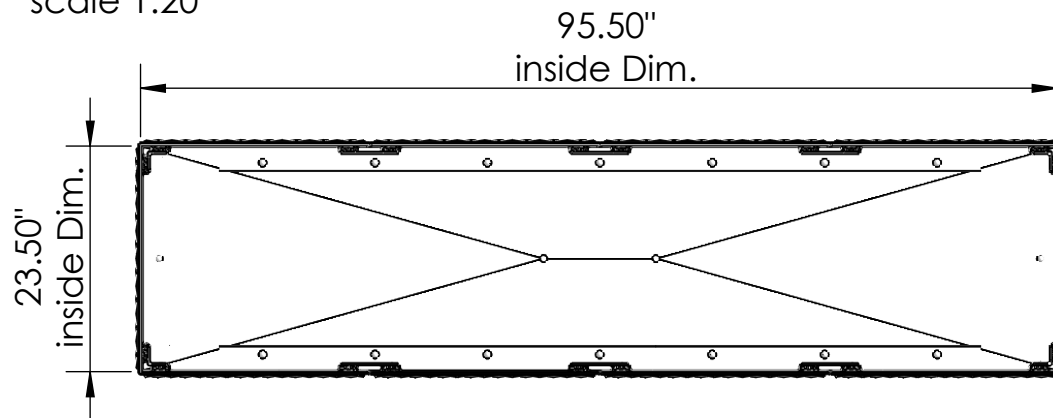
SIDE VIEW
scale 1:20



END VIEW
scale 1:20



TOP VIEW
scale 1:20



ISO-VIEW
scale 1:24

NOTES:

1. PROTOTYPE ONLY
2. Ships as a set.
3. Due to casting inconsistencies, all dimensions are nominal.

Made in USA ©2019 Iron Age Designs

Diamond Proto Planter Box 2' x 8'



Material: Cast Ductile Iron

Standard Raw
Finish:

Weight: approx. 642 lbs.

Edge
Thickness:

Product ID: PBRN18-24

By: MS Date: 5/9/19

Job No: XXXXXXXX Scale: NTS

© Registration: XX-1-XXX-123

Drawing Name: 000-Diamond Proto Planter Box 2' x 8'