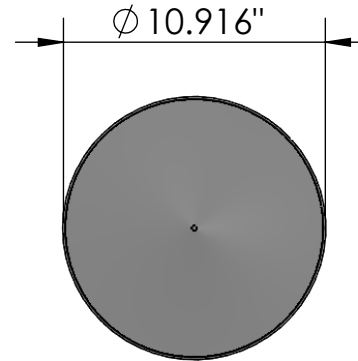
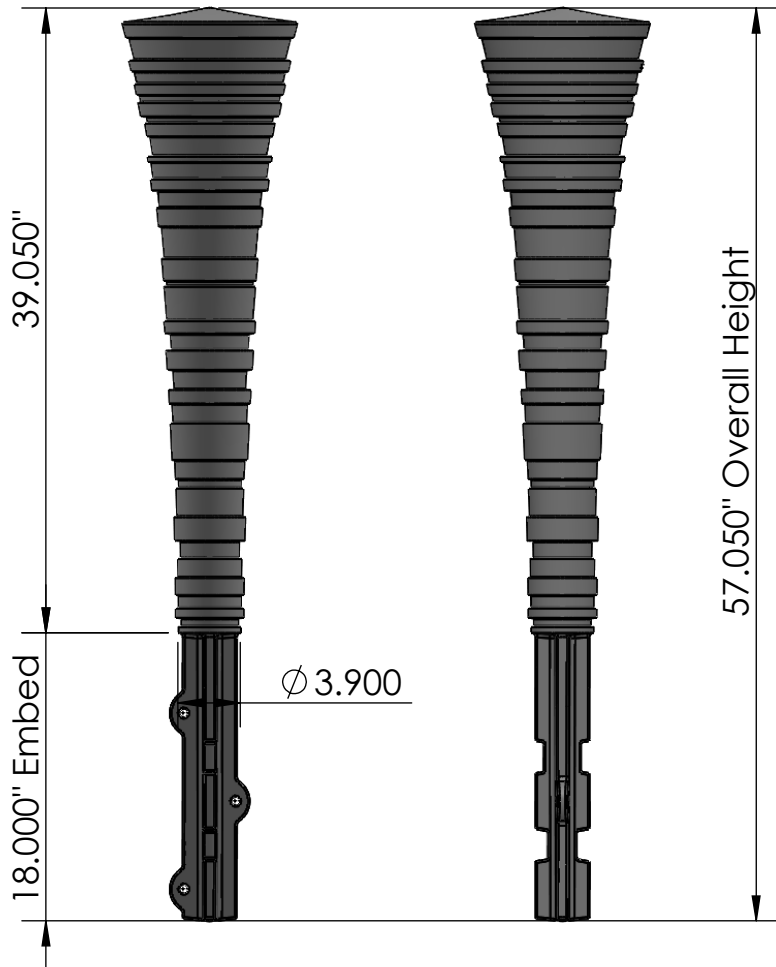


EAST PROFILE
scale 1:12

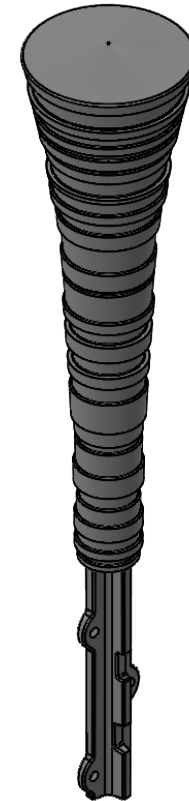
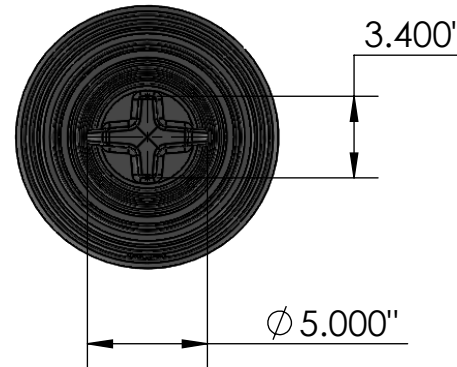
NORTH PROFILE
scale 1:12

TOP VIEW
scale 1:8

ISO-VIEW
scale 1:12



BOTTOM VIEW
scale 1:8



NOTES:

1. Casting is Hollow, Wall Thickness min. 0.4375"
2. Ships in 1 piece.
3. Due to casting inconsistencies, all dimensions are nominal.

Made in USA ©2015 Iron Age Designs

Tornado Bollard



Material: Cast Aluminum
Standard Finish: Powder Coat

Weight: 50.00 lbs.

By: MS Date: 8/23/19
Scale: NTS

Product ID: TOBO39A

© Pending Registration: XX-1-XXX-123
Drawing Name: 001-Tornado_Bollard_Hollow