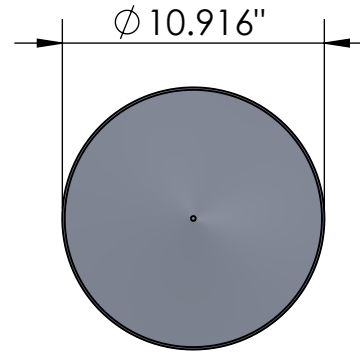
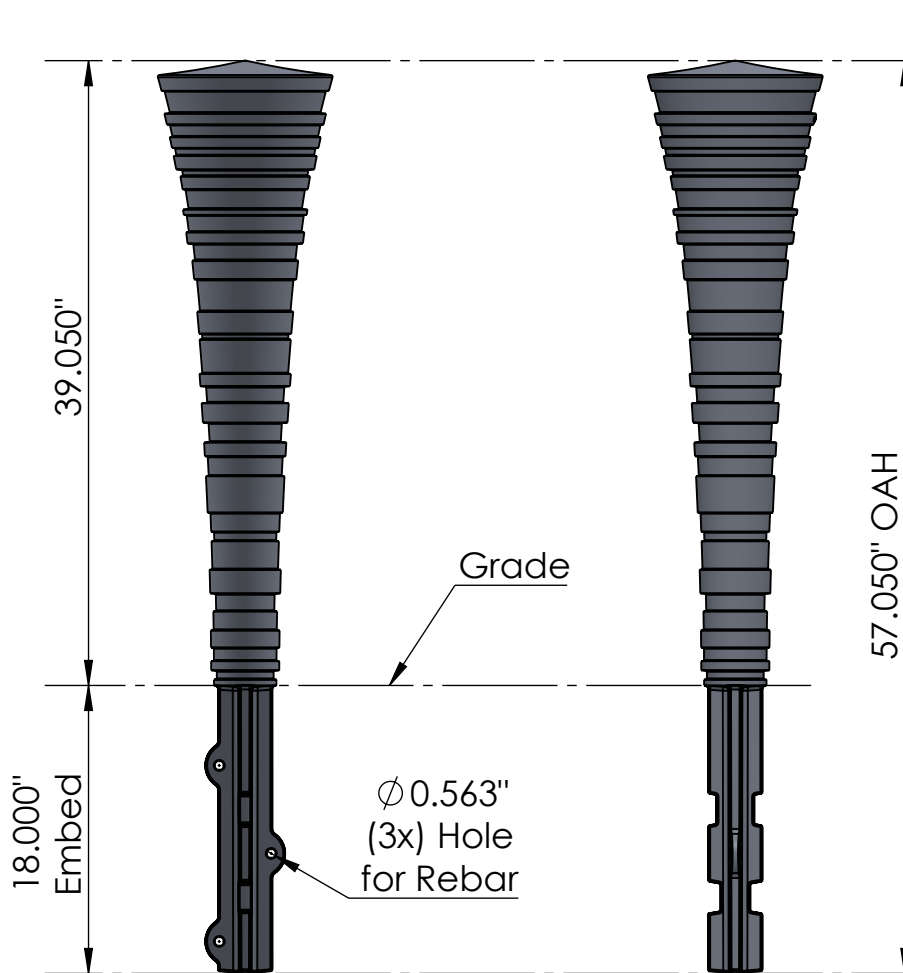


FRONT VIEW
scale 1:12

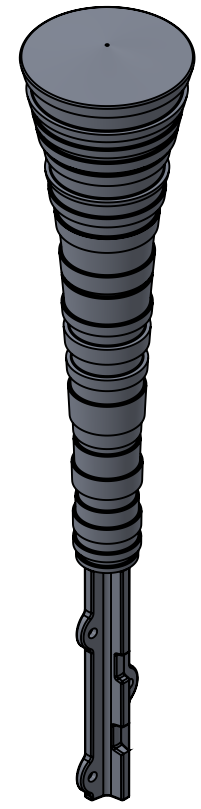
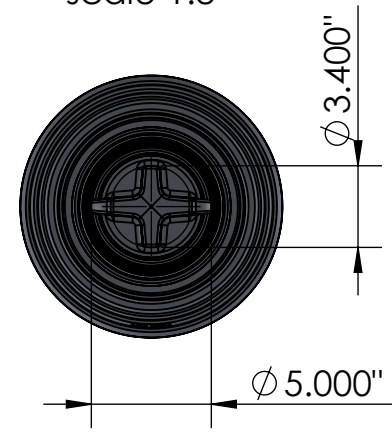
SIDE VIEW
scale 1:12

TOP VIEW
scale 1:8

ISO-VIEW
scale 1:12



BOTTOM VIEW
scale 1:8




NOTES:

1. Ships in pieces: 1
2. Due to casting inconsistencies, all dimensions are nominal.

Made in USA ©2015 Iron Age Designs

Tornado Bollard

 IRON AGE DESIGNS Telephone 206.276.0925 www.ironagedesigns.com	Material: Cast Aluminum 356-T6	Weight: 50.01 lbs.	Free Drain Area: N/A in/sq., or N/A %	By: MS Checked: MS Date: 5-12-22
	Finish: Powder Coat	Edge: N/A	Flow Rate: N/A GPM, or N/A CuFt./sec.	© Registration: Pending Scale: NTS
	Fits: Embedment	Product ID: TOB039A	Drawing Name: 01_Tornado_Bollard_Hollow_Aluminum 356T-6	