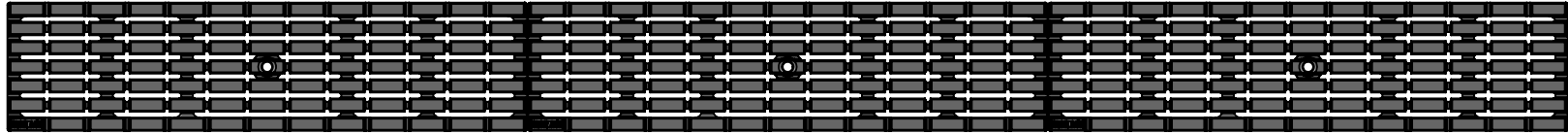
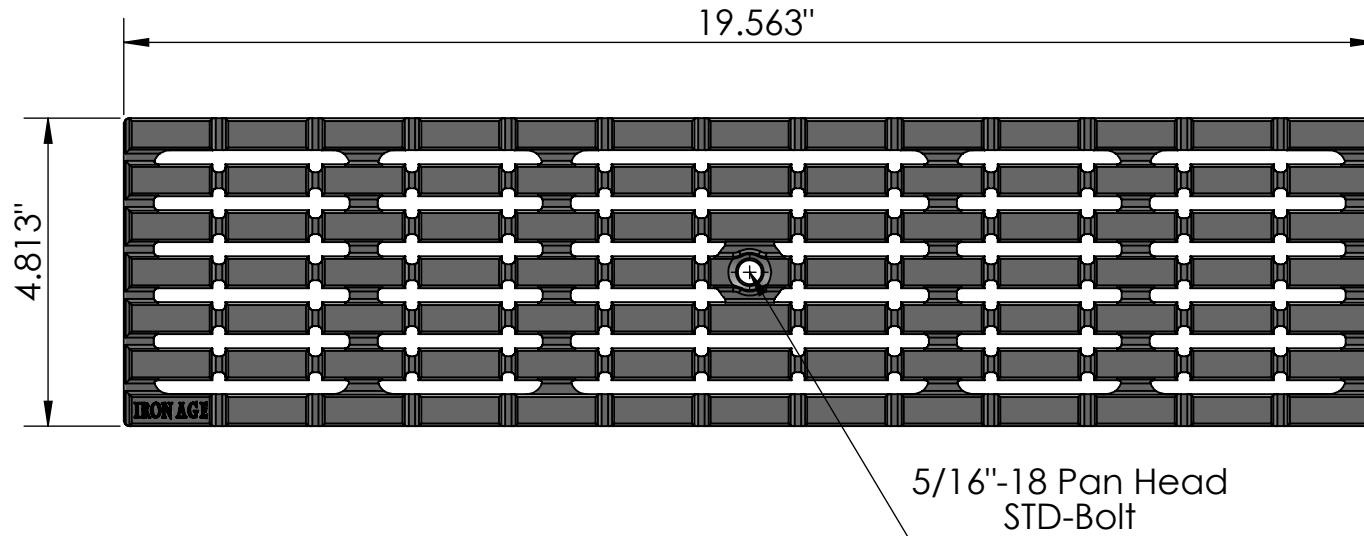


3 ARRAY
scale 1:7



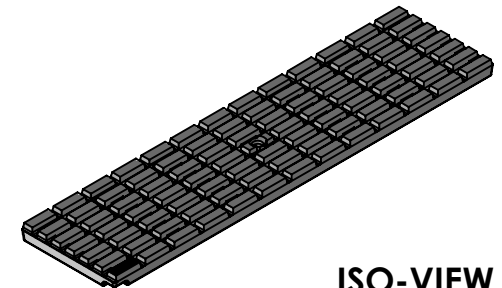
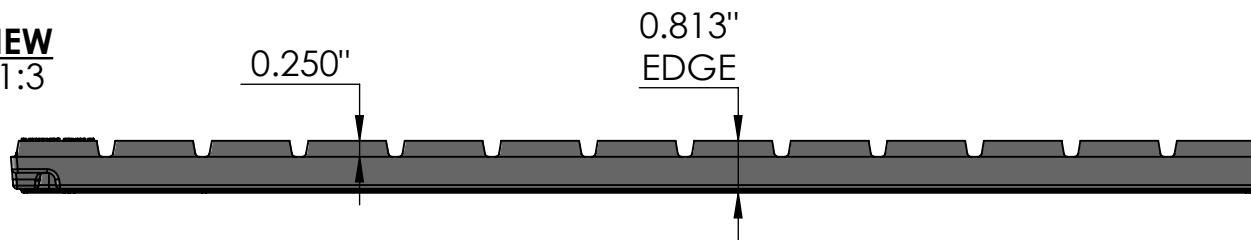
TOP VIEW
scale 1:3



CASTING-ID
scale 1:1.5



SIDE VIEW
scale 1:3




ISO-VIEW
scale 1:7

NOTES:

1. ADA Compliant: No thru openings greater than 1/2".
2. Ships in pieces: 1
3. Due to casting inconsistencies, all dimensions are nominal.

Made in USA ©2019 Iron Age Designs

Plex 5" x 20" Trench Grate

 Telephone 206.276.0925 www.ironagegrates.com	Material: Ductile Iron 65-45-12	Weight: 9.34 lbs.	Free Drain Area: 24.12 in/sq., or 25.62 %	By: MS Checked: MS Date: 2-3-21
	Finish: Raw ABT®, PolyDrain®	Edge: 0.8125"	Flow Rate: 31.60 GPM, or .070 CuFt./sec.	© Registration: VA 2-159-675 Scale: NTS
	Fits: ACO™ K100, K100S, KS100 MEA® 1000 Series	Product ID: PLA5-20121	Drawing Name: 02_PLA_5x20_TrenchGrate_Iron	