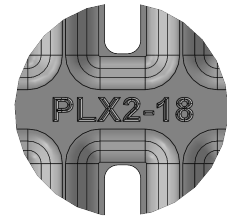
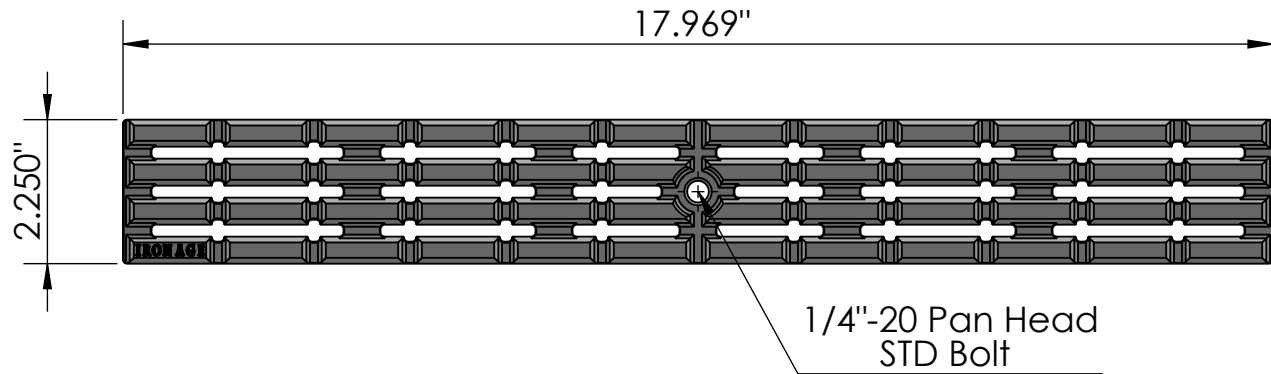


**3 ARRAY**  
scale 1:7

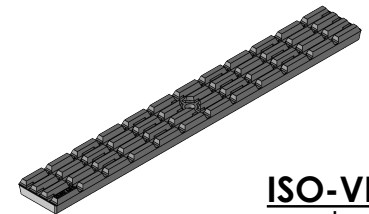
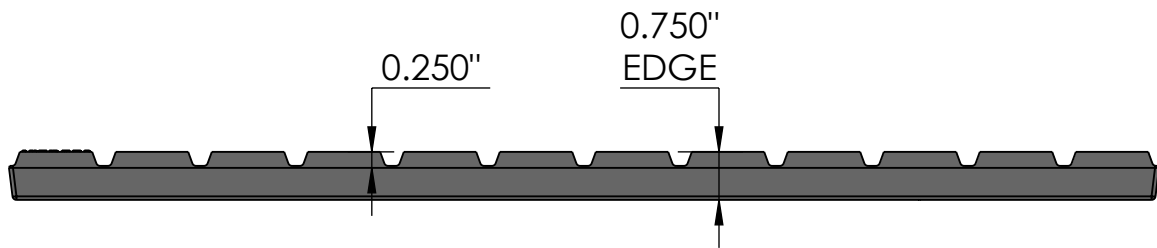


**TOP VIEW**  
scale 1:3



**CASTING-ID**  
scale 1:1

**SIDE VIEW**  
scale 1:3




**ISO-VIEW**  
scale 1:8

**NOTES:**

1. Heelproof: No thru openings greater than 1/4".
2. Ships in pieces: 1
3. Due to casting inconsistencies, all dimensions are nominal.

Made in USA ©2021 Iron Age Designs

**Plex 2"x 18" Trench Grate - Heel Proof**

 <b>IRON AGE DESIGNS</b> Telephone 206.276.0925 www.ironagegrates.com	<b>Material:</b> Ductile Iron 65-45-12	<b>Weight:</b> 3.72 lbs.	<b>Free Drain Area:</b> 8.64 in/sq., or 21.37 %	<b>By:</b> MS <b>Checked:</b> MS <b>Date:</b> 1-9-23
	<b>Finish:</b> Raw	<b>Edge:</b> 0.750"	<b>Flow Rate:</b> 11.32 GPM, or .025 CuFt./sec.	<b>© Registration:</b> VA 2-329-976 <b>Scale:</b> NTS
	<b>Fits:</b> Iron Age CustomFrames SOLD SEPARATELY	<b>Product ID:</b> PLX2-18I99	<b>Drawing Name:</b> 01_PLX_2.25x18_TrenchGrate	