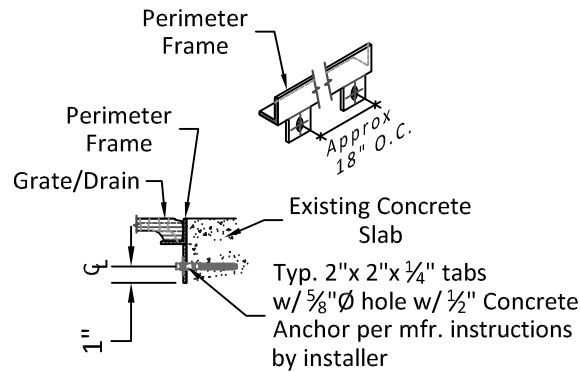


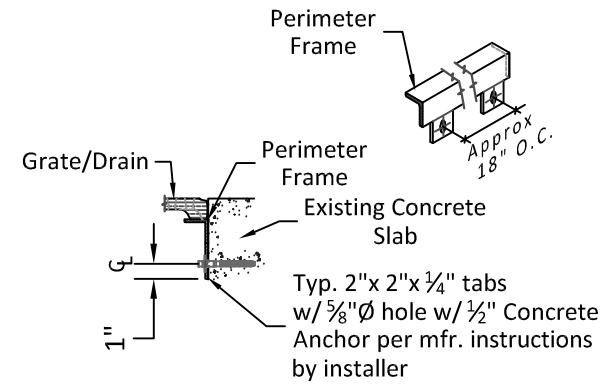
'E' Embed

- Use with new surround slabs



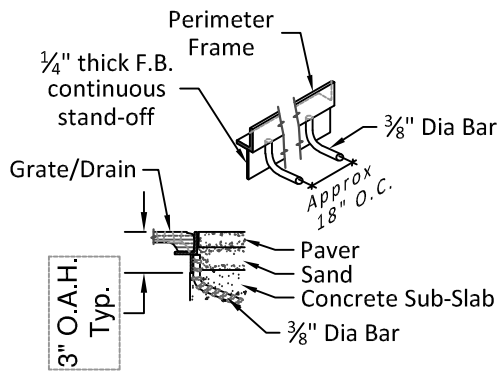
'R' Retro-tab

- Use with existing surround slabs



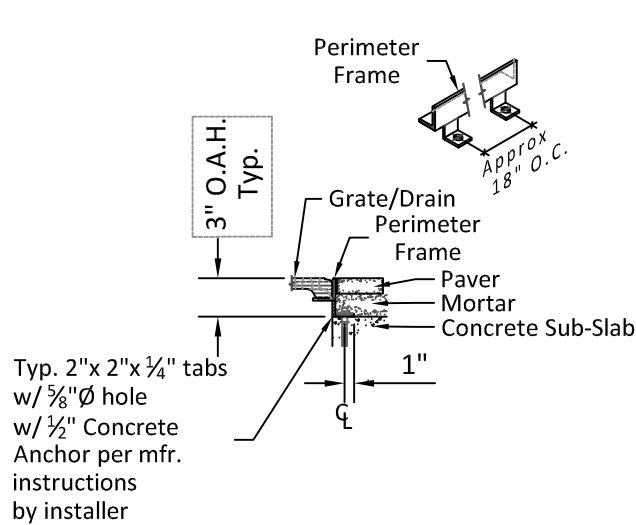
'IR' Inverted Retro-tab

- Use with existing surround slabs



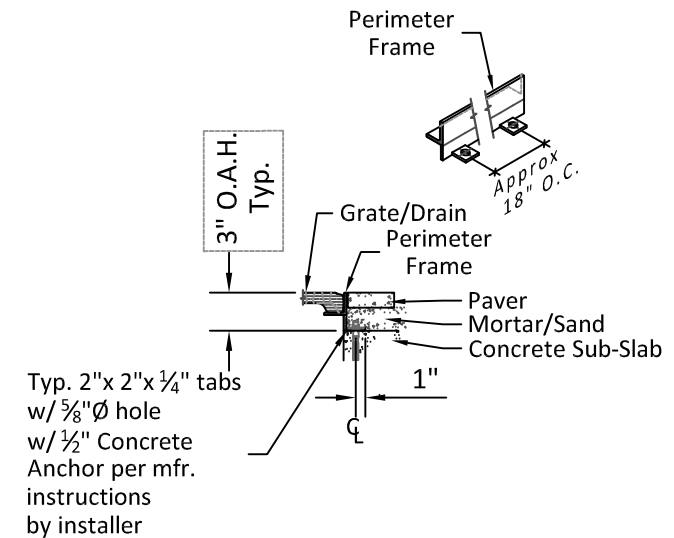
'SOE' Stand-Off Embed

- Use with pavers, sand setting bed



'SOR' Stand-Off Retro-Tab

- Use with pavers, mortar bed



'SOC' Stand-Off Continuous

- Use with pavers, continuous skirt