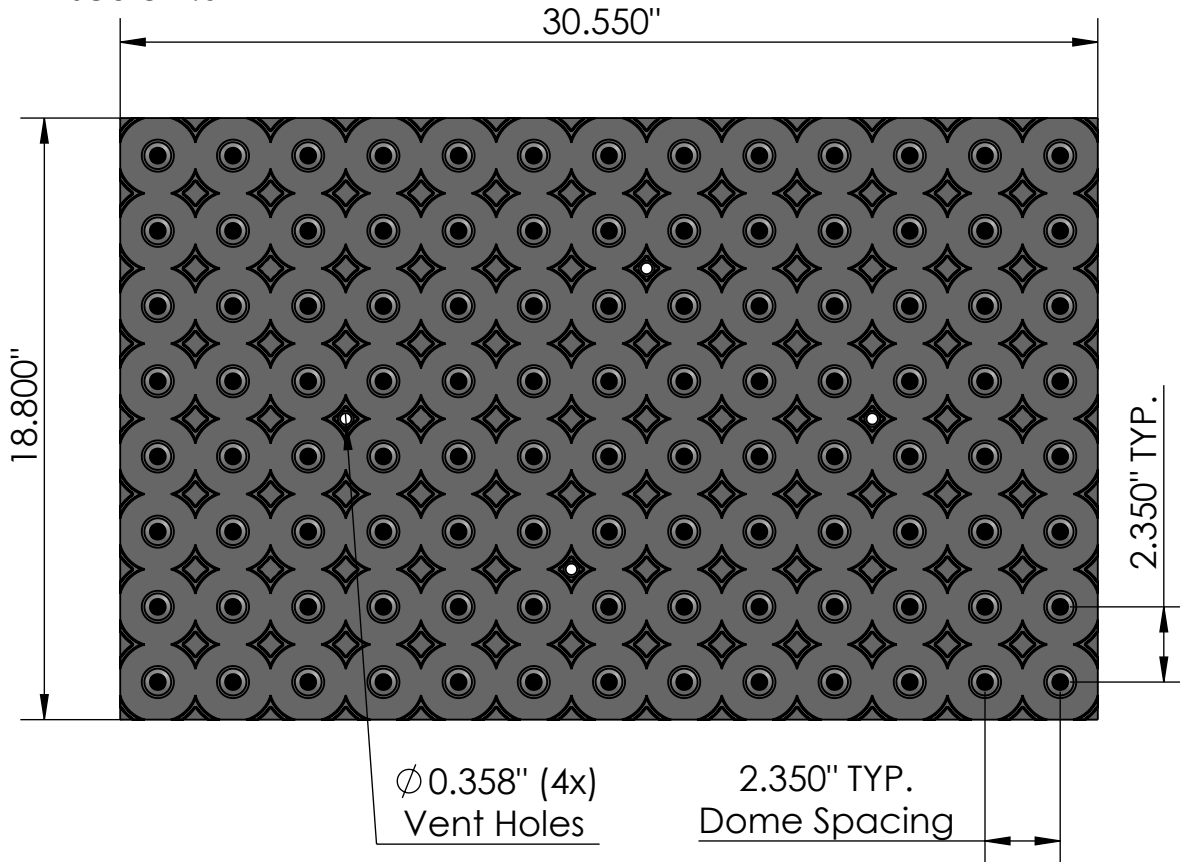
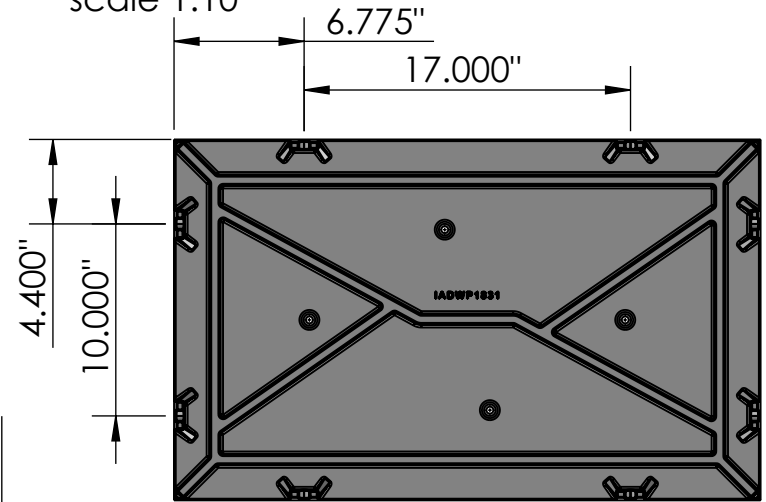


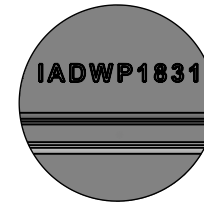
TOP VIEW
scale 1:6



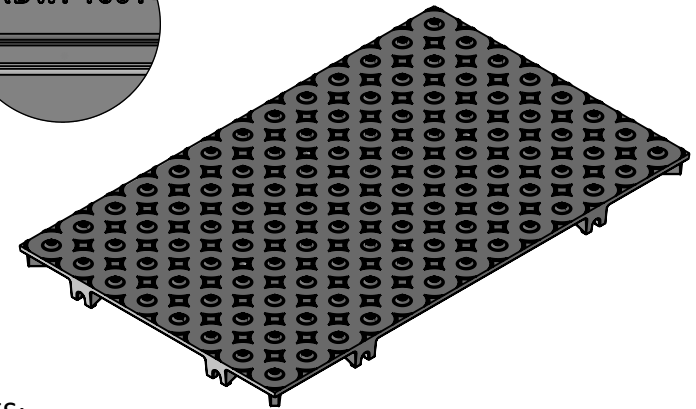
BACK VIEW
scale 1:10



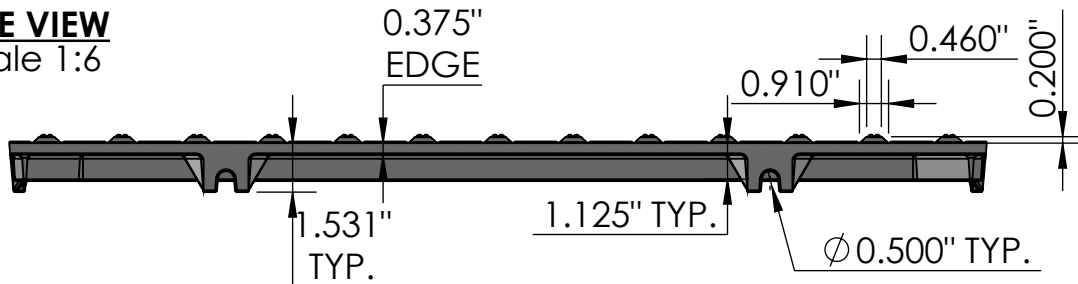
CASTING-ID
scale 1:4



ISO-VIEW
scale 1:10



SIDE VIEW
scale 1:6




NOTES:

1. ADA Compliant: No thru openings greater than 1/2".
2. Pieces per Set: 1
3. Due to casting inconsistencies, all dimensions are nominal.
- 4.. Pedestrian Load Only.

Made in USA

©2022 Iron Age Designs

Interlaken 18"x 31" Detectable Warning Plate

 IRON AGE DESIGNS Telephone 206.276.0925 www.ironagegrates.com	Material: Ductile Iron 65-45-12	Weight: 76.02 lbs.	Free Drain Area: N/A in/sq. or N/A %	By: MS Checked: MS Date: 12-16-22
	Finish: Raw	Edge: .375"	Flow Rate: N/A GPM	© Registration: Pending Scale: NTS
	Fits: Embed	Product ID: TDX18-31199DWP	Drawing Name: 03_DOME_19x31_DWP_Iron	