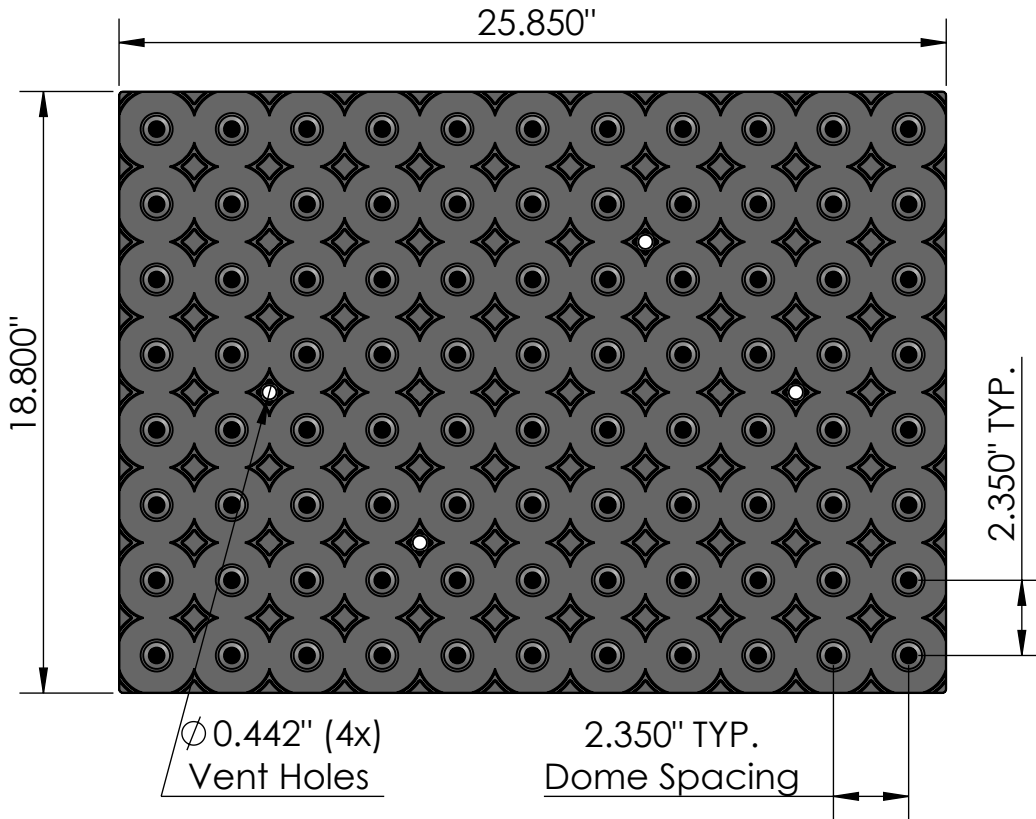
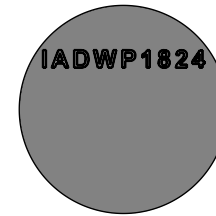
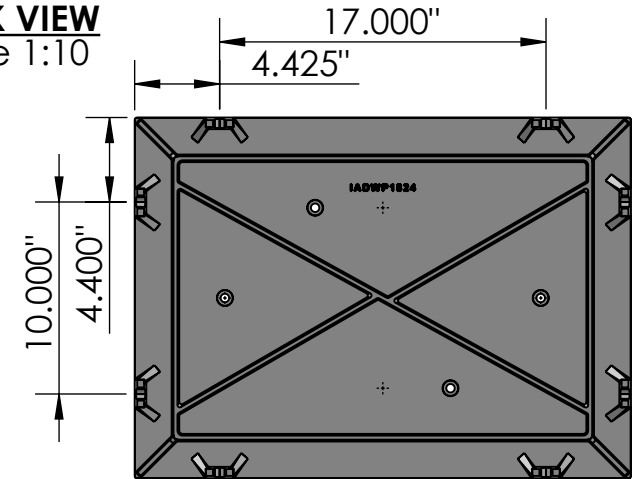


TOP VIEW
scale 1:6

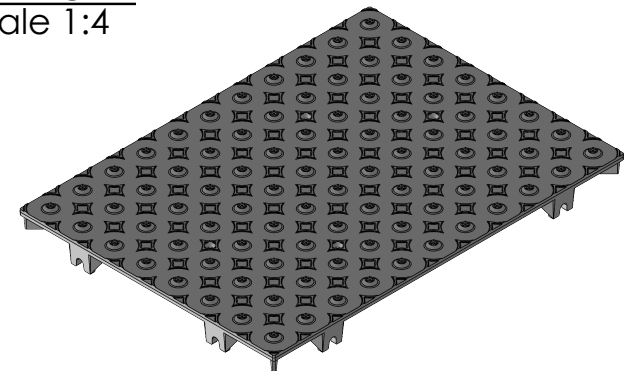


BACK VIEW
scale 1:10

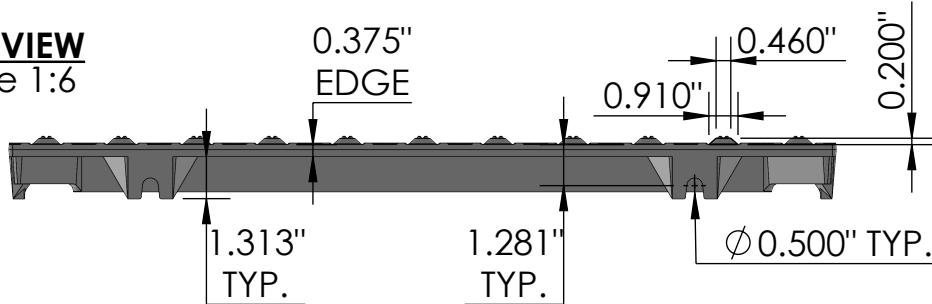


CASTING-ID
scale 1:4

ISO-VIEW
scale 1:10



SIDE VIEW
scale 1:6



Interlaken 18"x 24" Detectable Warning Plate

NOTES:

1. ADA Compliant: No thru openings greater than 1/2".
2. Pieces per Set: 1
3. Due to casting inconsistencies, all dimensions are nominal.
- 4.. Pedestrian Load Only.

Made in USA

©2013 Iron Age Designs

Material: Ductile Iron 65-45-12	Weight: 62.21 lbs.	Free Drain Area: N/A in/sq. or N/A %	By: MS	Checked: MS	Date: 1-9-23
Finish: Raw	Edge: .375"	Flow Rate: N/A GPM	© Registration: Pending		Scale: NTS
Fits: Embed	Product ID: TDX18-24I99DWP	Drawing Name: 04_DOME_18x24_DWP_Iron			