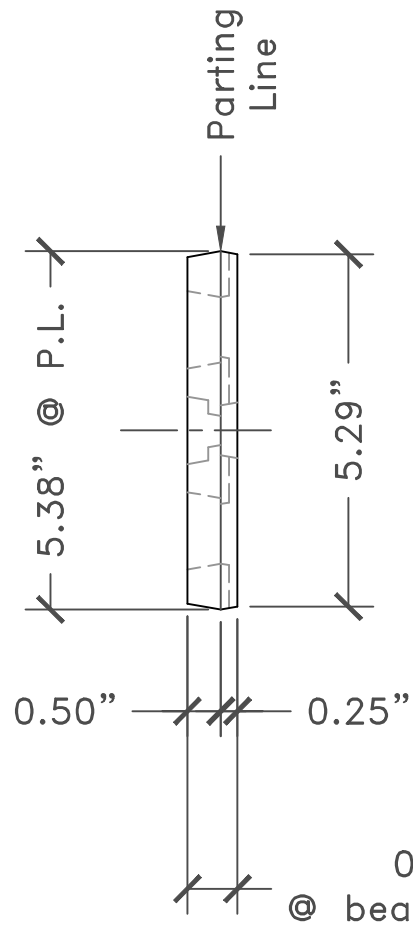
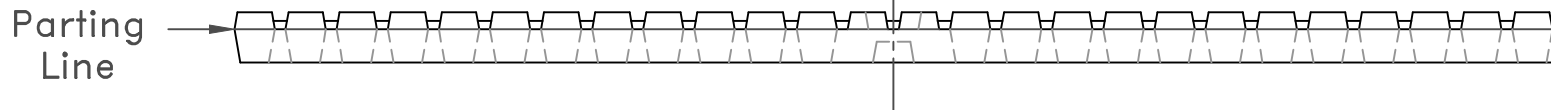
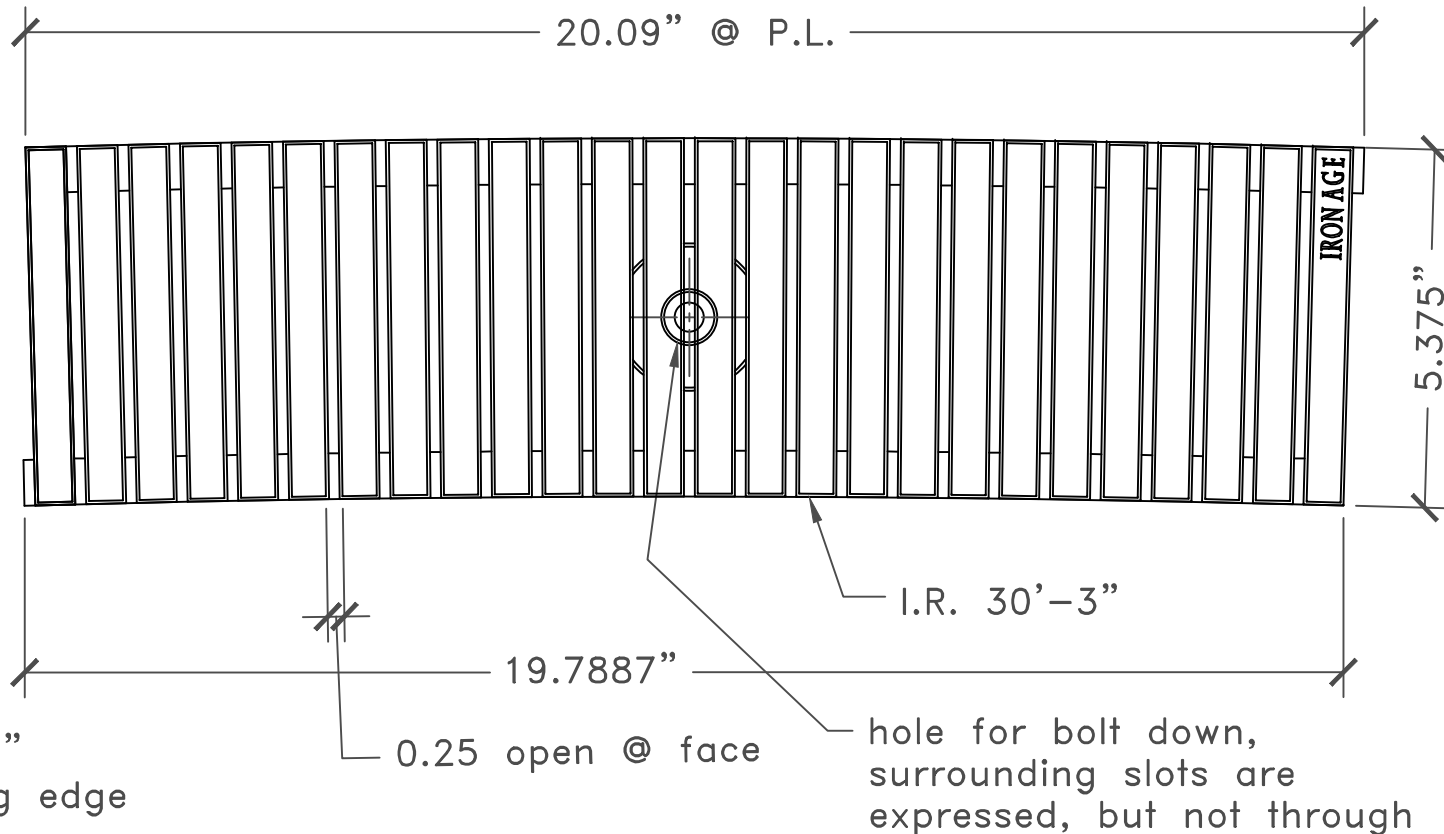


END



TOP



ELEVATION



IRON AGE
DESIGNS

2104 SW 152nd St. #4 TEL 206.276.0925
Burien, WA 98166 FAX 206.257.0318
www.ironagedesigns.com

Regular Joe 5" Heel-Proof Trench Grate
30'-6" CLR

drawing no. 01-JOE.Rad1

drawn by: CD
scale: NTS
date: 9/16/10

NOTES:

1. Material:
cast iron
2. Natural finish
3. Total thickness: 1"
4. Fits trench frame
manufactured by:
Iron Age™

5. No openings greater than 1/4"
6. Due to casting inconsistencies,
all dimensions are nominal.

© 2010 Iron Age Designs