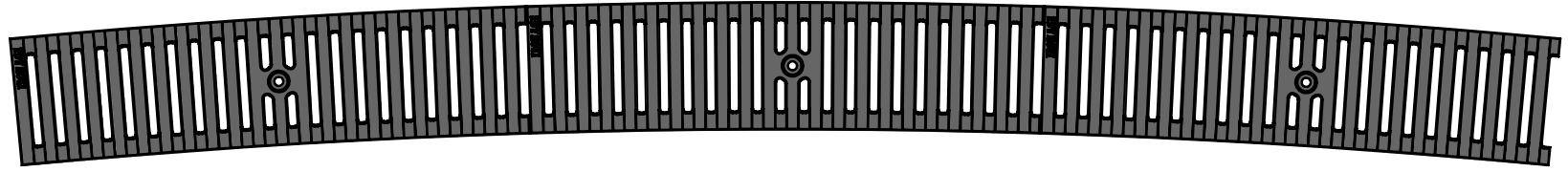
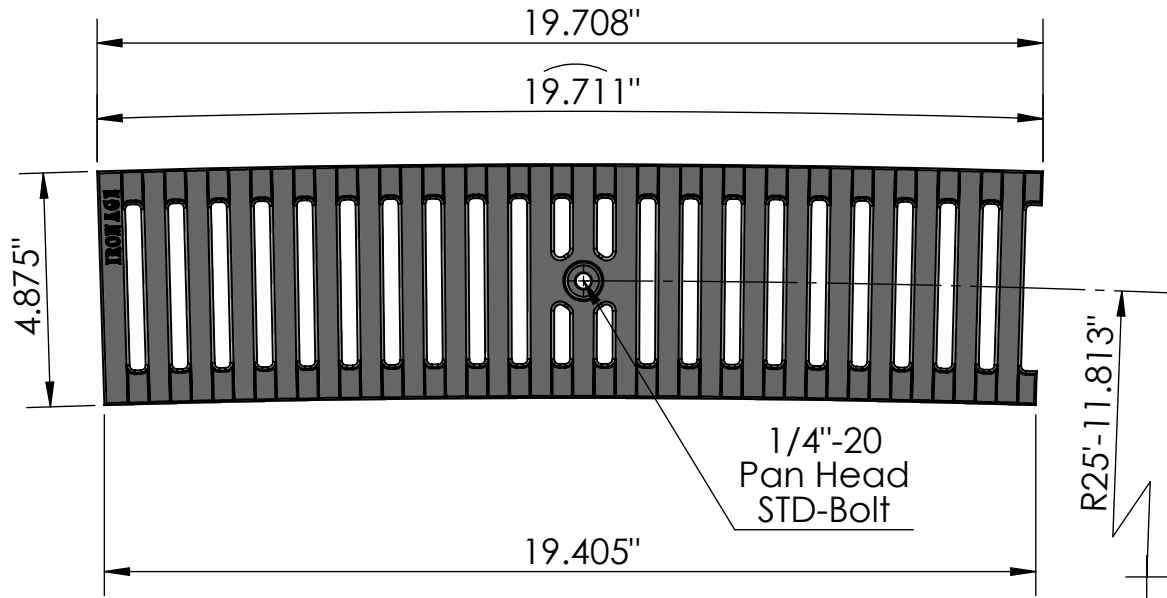


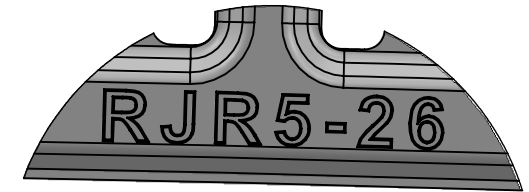
3 ARRAY
scale 1:7



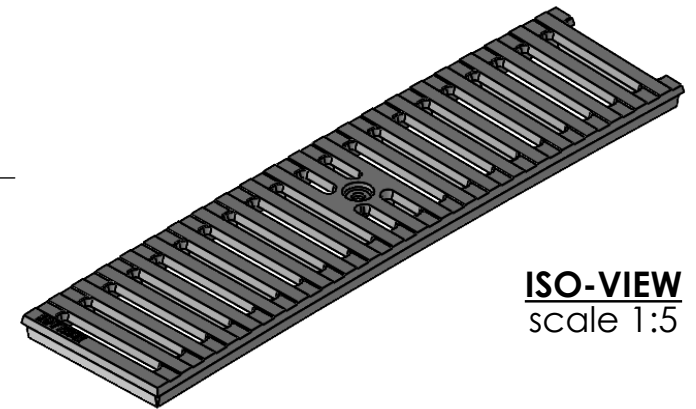
TOP VIEW
scale 1:4



CASTING-ID
scale 1:2



SIDE VIEW
scale 1:4




ISO-VIEW
scale 1:5

NOTES:

1. ADA Compliant: No thru openings greater than 1/2".
2. Ships in pieces: 1
3. Due to casting inconsistencies, all dimensions are nominal.

Made in USA ©2018 Iron Age Designs

Regular Joe 5" x 20" Trench Grate
26'-0" C.L.R.

 IRON AGE DESIGNS Telephone 206.276.0925 www.ironagegrates.com	Material: Ductile Iron 65-45-12	Weight: 8.42 lbs.	Free Drain Area: 24.11 in/sq., or 25.29 %	By: MS Checked: MS Date: 2-21-22
	Finish: Raw	Edge: 0.750"	Flow Rate: 31.59 GPM, or .070 CuFt./sec.	© Registration: Pending Scale: NTS
	Fits: Iron Age Custom Frames SOLD SEPARATELY	Product ID: RJR5-2019926	Drawing Name: 01_RJoe_I_5x25'-11.5"CLR_TrenchGrate	