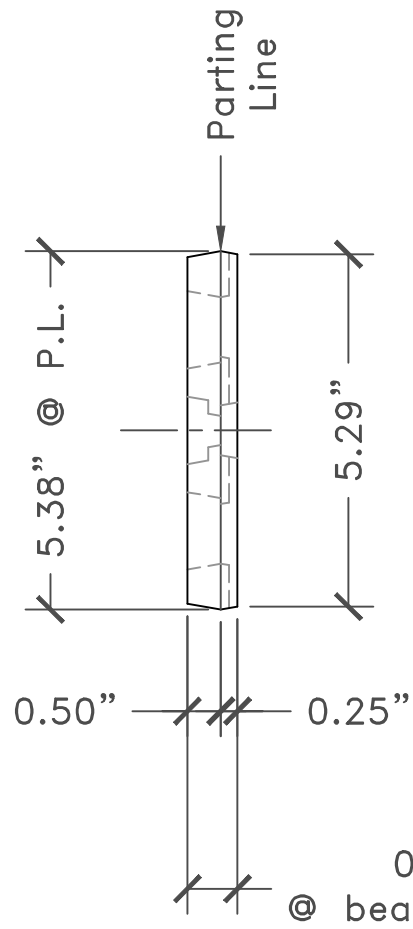
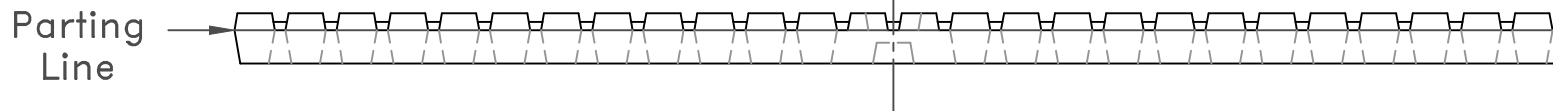
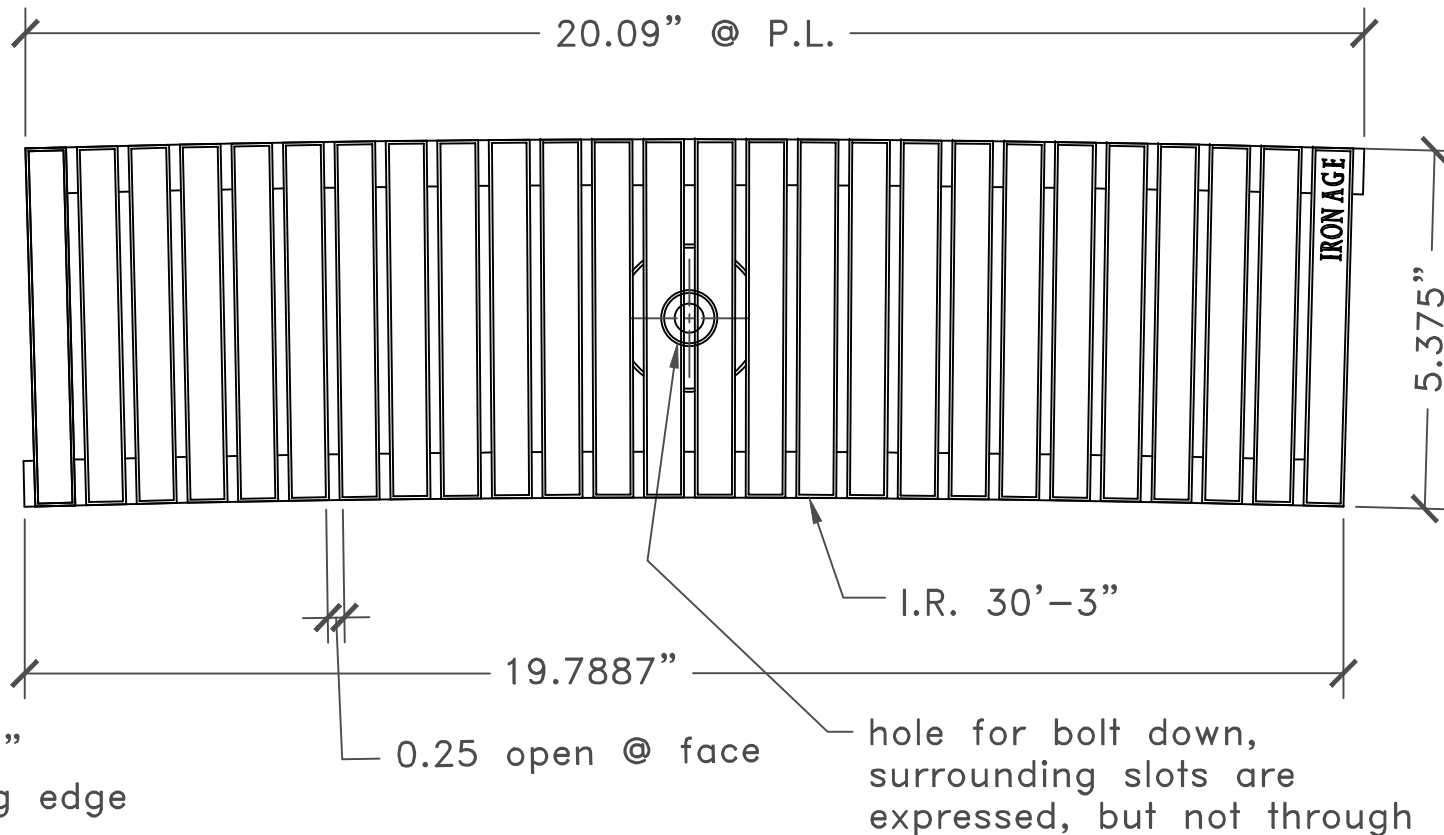


END



TOP



ELEVATION



**IRON AGE  
DESIGNS** 2104 SW 152nd St. #4 TEL 206.276.0925  
Burien, WA 98166 FAX 206.257.0318  
www.ironagedesigns.com

NOTES:

1. Material:  
cast iron
2. Natural finish
3. Total thickness: 1"
4. Fits trench frame  
manufactured by:  
Iron Age™

5. No openings greater than 1/4"
6. Due to casting inconsistencies,  
all dimensions are nominal.

© 2010 Iron Age Designs

Regular Joe 5.38" Heel-Proof Trench Grate  
30'-6" C.L.R.

drawing no. 01-JOE.Rad1

drawn by: CD  
scale: NTS  
date: 9/16/10