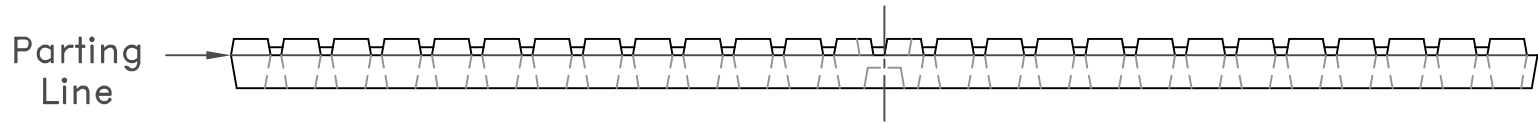
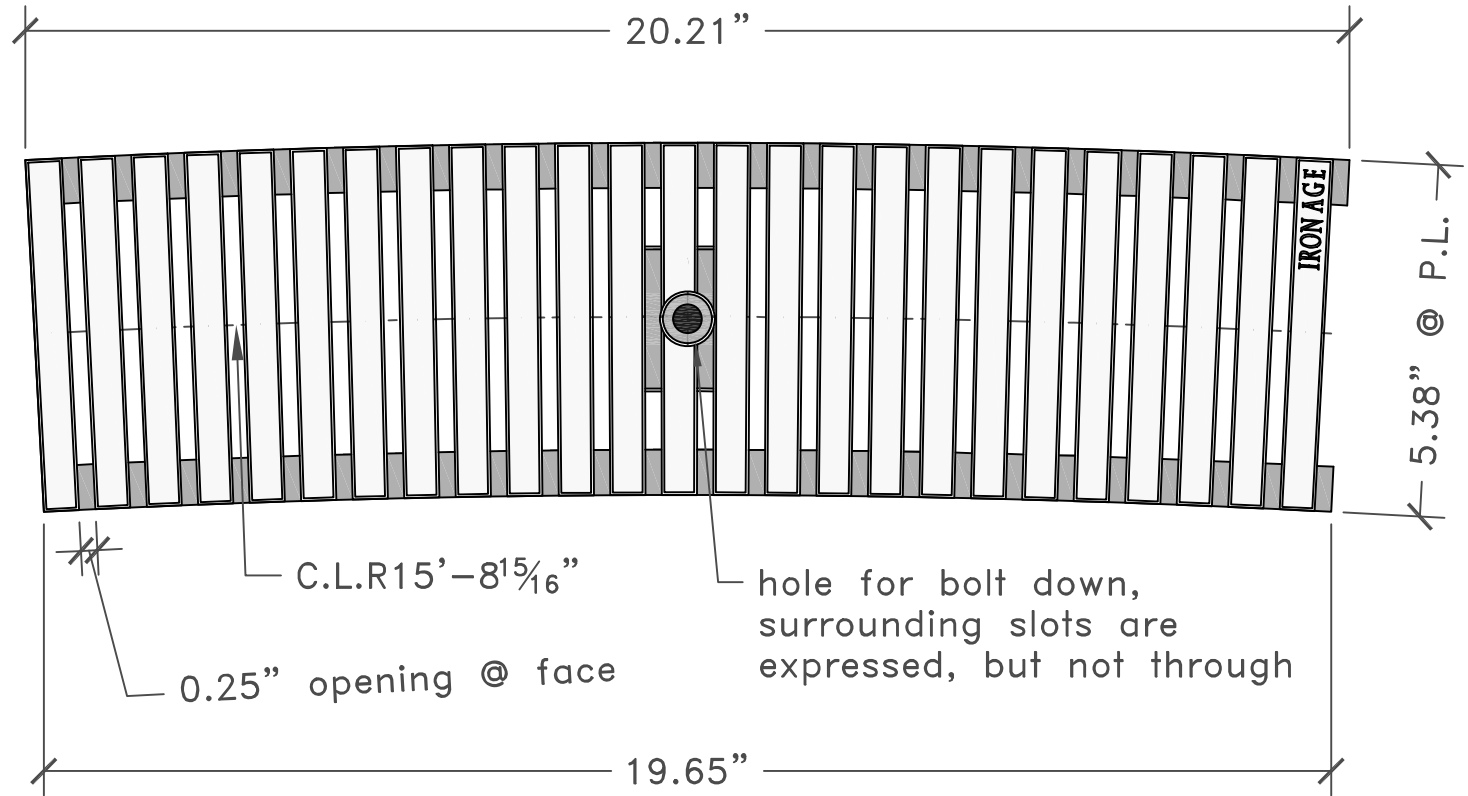
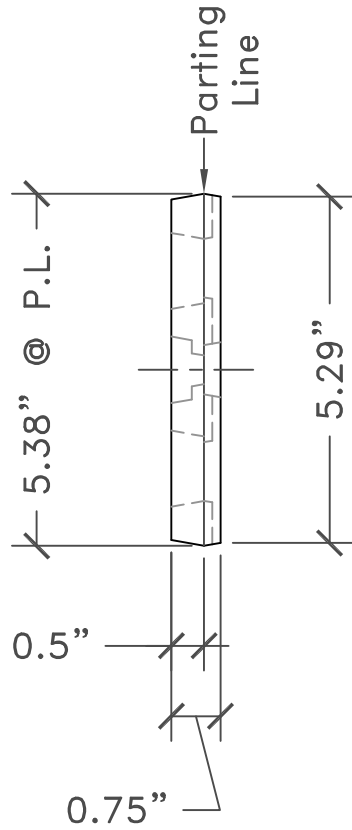


END



ELEVATION



**IRON AGE**  
DESIGNS

2104 SW 152nd St. #4 TEL 206.276.0925  
Burien, WA 98166 FAX 206.257.0318  
www.ironagegrates.com

Regular Joe 5.38" Heel-Proof Trench Grate  
15'-9" C.L.R.

drawing no. C-0711.01

drawn by: DO  
scale: NTS  
date: 07/27/07

NOTES:

1. Material: cast iron
2. Natural finish
3. Edge thickness: 3/4"
4. Fits custom frames by Iron Age®
5. No openings greater than 1/4"
6. Due to casting inconsistencies, all dimensions are nominal.

© 2007 Iron Age Designs