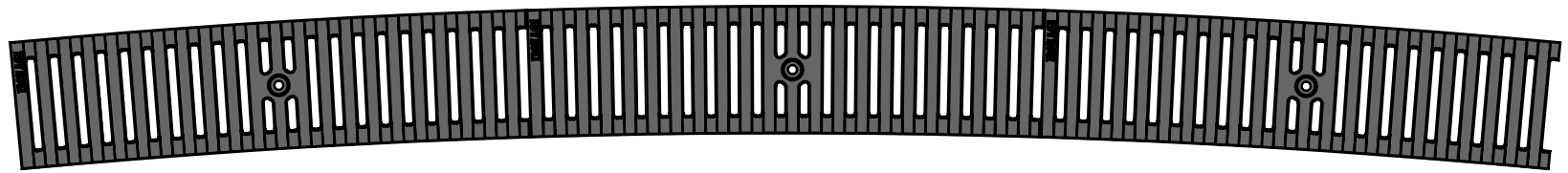
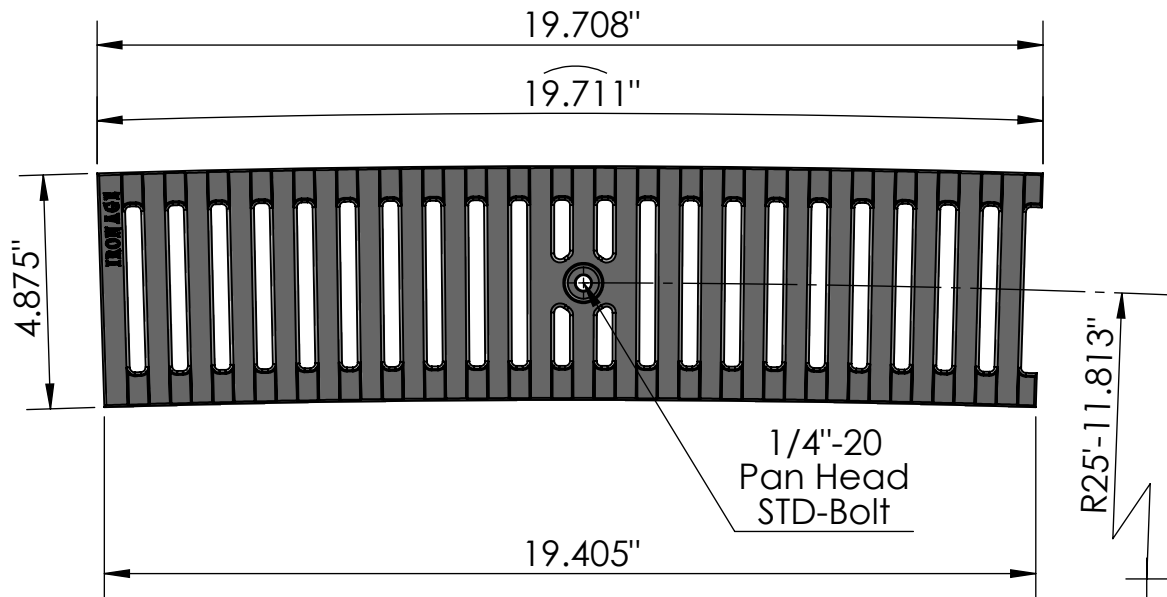


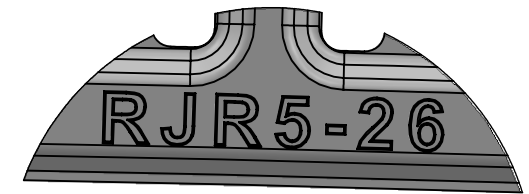
**3 ARRAY**  
scale 1:7



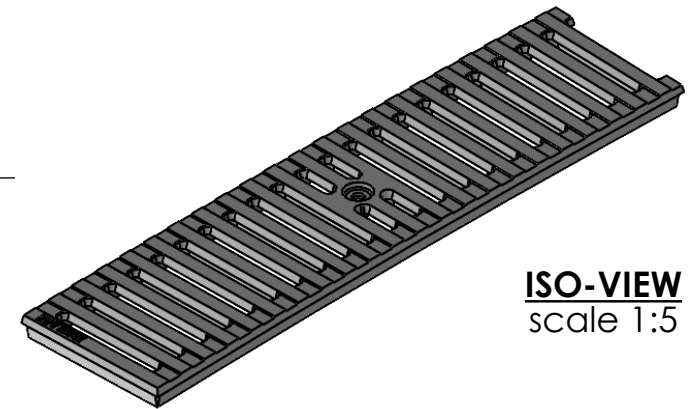
**TOP VIEW**  
scale 1:4



**CASTING-ID**  
scale 1:2



**SIDE VIEW**  
scale 1:4




**ISO-VIEW**  
scale 1:5

**NOTES:**

1. ADA Compliant: No thru openings greater than 1/2".
2. Ships in pieces: 1
3. Due to casting inconsistencies, all dimensions are nominal.

Made in USA ©2018 Iron Age Designs

**Regular Joe 5" x 20" Trench Grate**  
**25'-11.5" C.L.R.**

 <b>IRON AGE DESIGNS</b> Telephone 206.276.0925 www.ironagegrates.com	<b>Material:</b> Ductile Iron 65-45-12	<b>Weight:</b> 8.42 lbs.	<b>Free Drain Area:</b> 24.11 in/sq., or 25.29 %	<b>By:</b> MS <b>Checked:</b> MS <b>Date:</b> 2-10-22
	<b>Finish:</b> Raw	<b>Edge:</b> 0.750"	<b>Flow Rate:</b> 31.59 GPM, or .070 CuFt./sec.	<b>© Registration:</b> Pending <b>Scale:</b> NTS
	<b>Fits:</b> Iron Age Custom Frames SOLD SEPARATELY	<b>Product ID:</b> RJR5-2019926	<b>Drawing Name:</b> 01_RJoe_I_5x25'-11.5"CLR_TrenchGrate	