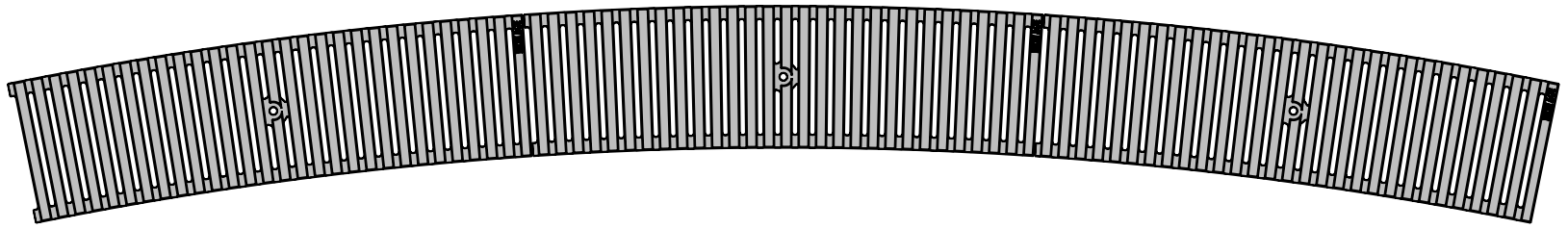
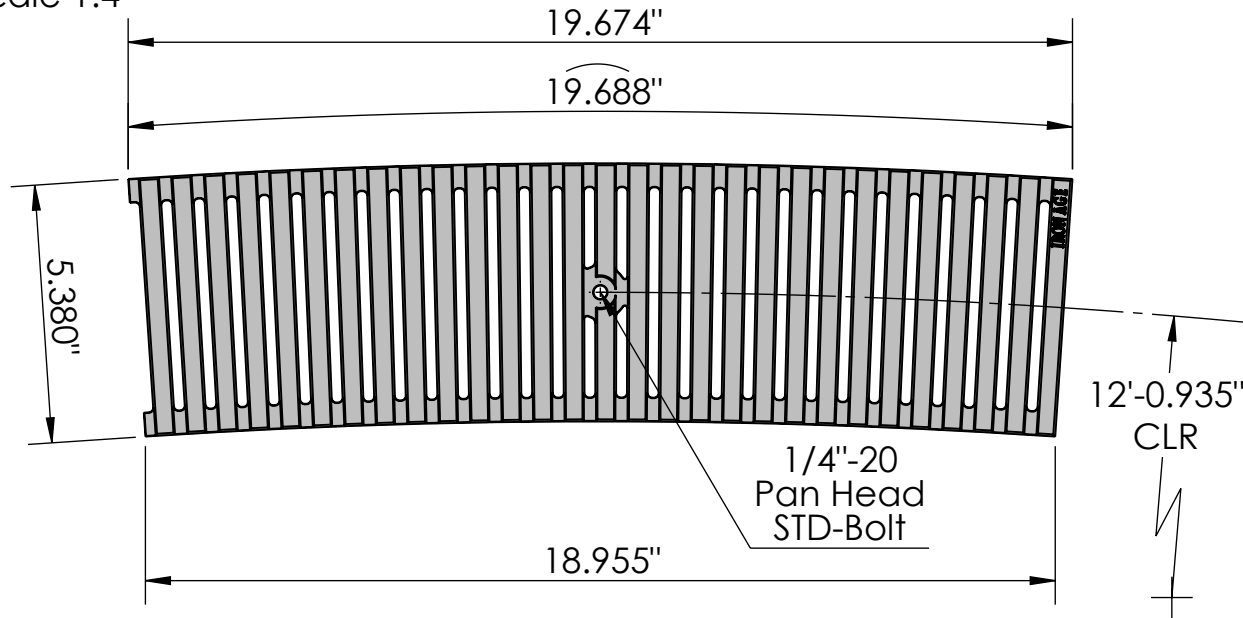


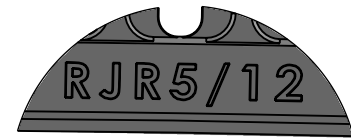
3 ARRAY
scale 1:7



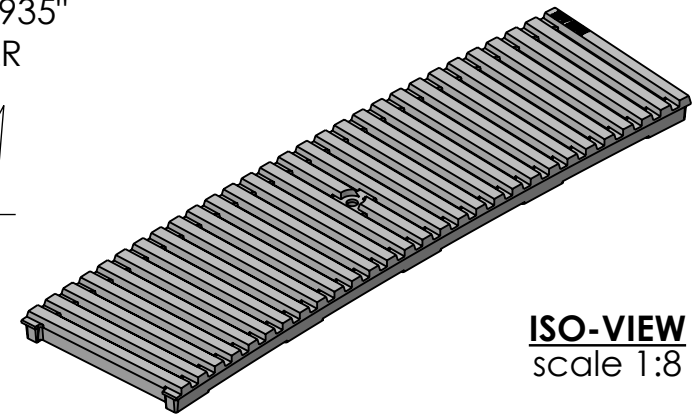
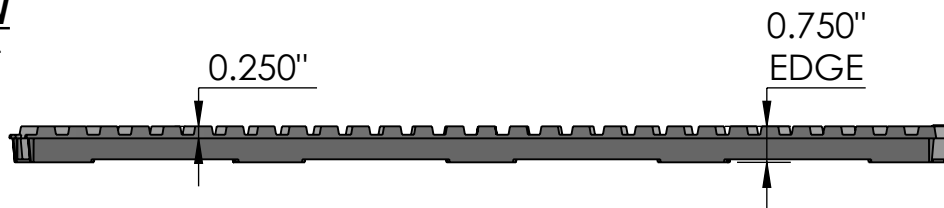
TOP VIEW
scale 1:4



CASTING-ID
scale 1:1



SIDE VIEW
scale 1:4




ISO-VIEW
scale 1:8

NOTES:

1. Heelproof: No thru openings greater than 1/4".
2. Ships in pieces: 1
3. Due to casting inconsistencies, all dimensions are nominal.

Made in USA ©2015 Iron Age Designs

Regular Joe 5.38" x 20" Trench Grate - Heel Proof
12' - 1" C.L.R.

| | | | | |
|--|--|--------------------------------------|--|---|
|  IRON AGE DESIGNS Telephone 206.276.0925 www.ironagegrates.com | Material: Ductile Iron 65-45-12 | Weight: 7.73 lbs. | Free Drain Area: 27.83 in/sq., or 26.76 % | By: MS Checked: MS Date: 12-9-22 |
| | Finish: Raw | Edge: 0.750" | Flow Rate: 36.46 GPM, or .081 CuFt./sec. | © Registration: Pending Scale: NTS |
| | Fits: Iron Age Custom Frames SOLD SEPARATELY | Product ID: RJR5-2019912HP | Drawing Name: 01_RJoe_I_5.38x12'-1"CLR_HP_TrenchGrate | |