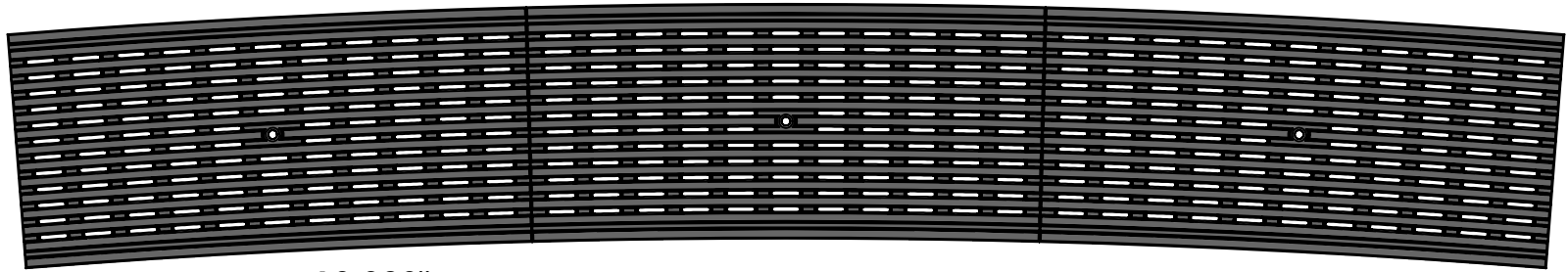
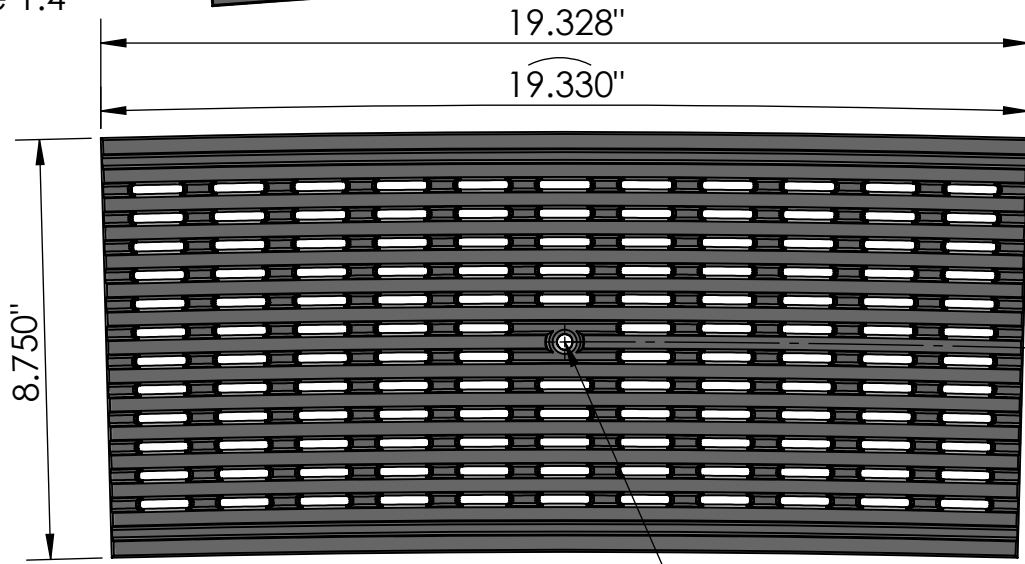


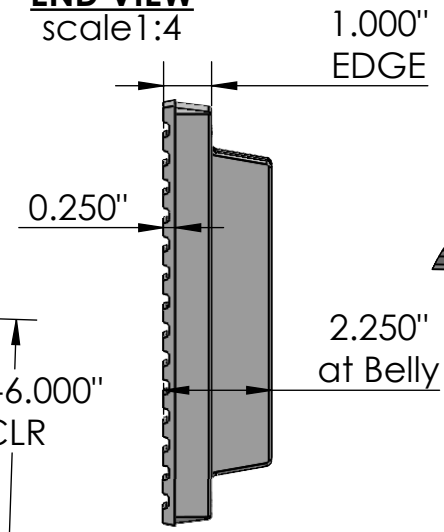
**3 ARRAY**  
scale 1:7



**TOP VIEW**  
scale 1:4



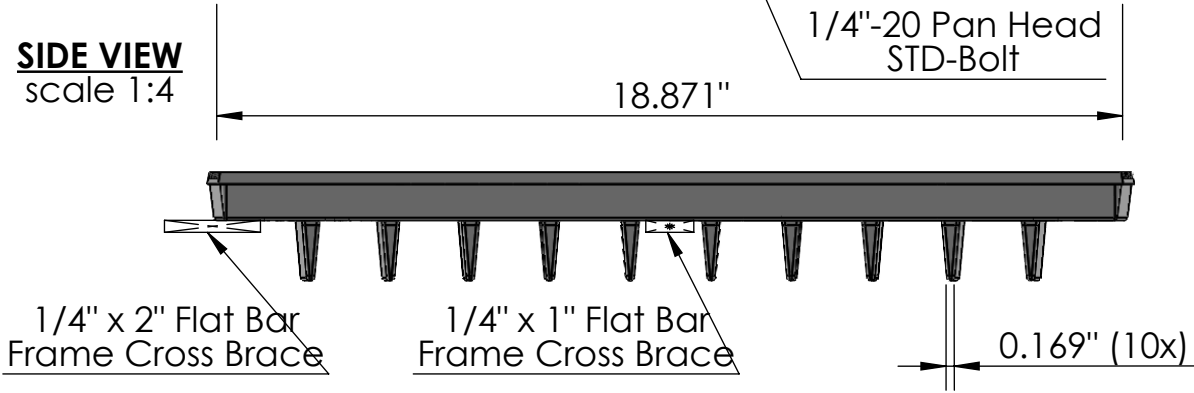
**END VIEW**  
scale 1:4



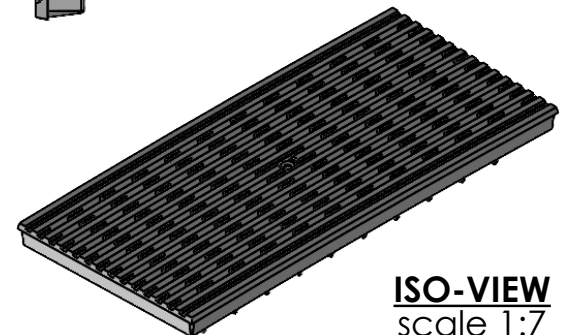
**CASTING-ID**  
scale 1:2



**SIDE VIEW**  
scale 1:4



**ISO-VIEW**  
scale 1:7



**NOTES:**

1. Heelproof: No thru openings greater than 1/4".
2. Ships in pieces: 1
3. Due to casting inconsistencies, all dimensions are nominal.

Made in USA ©2020 Iron Age Designs

**Que 9" x 19" Trench Grate - Heel Proof - Heavy Duty**  
**30' - 6" C.L.R.**

<p><b>IRON AGE</b> <b>DESIGNS</b> Telephone 206.276.0925 www.ironagegrates.com</p>	<b>Material:</b> Ductile Iron 65-45-12	<b>Weight:</b> 26.75 lbs.	<b>Free Drain Area:</b> 25.20 in/sq., or 15.07 %	<b>By:</b> MS <b>Checked:</b> MS <b>Date:</b> 12-2-21
	<b>Finish:</b> Raw	<b>Edge:</b> 1.000"	<b>Flow Rate:</b> 33.01 GPM, or .073 CuFt./sec.	<b>© Registration:</b> Pending <b>Scale:</b> NTS
	<b>Fits:</b> Iron Age Custom Frames SOLD SEPARATELY	<b>Product ID:</b> QUR9-19D9931HP	<b>Drawing Name:</b> 01_QUE_I_9x19_30'6" _HPHD_TrenchGrate	