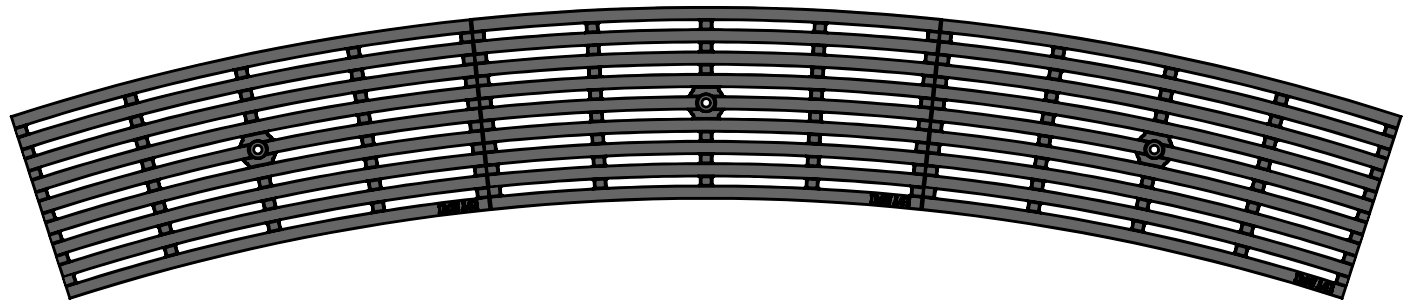
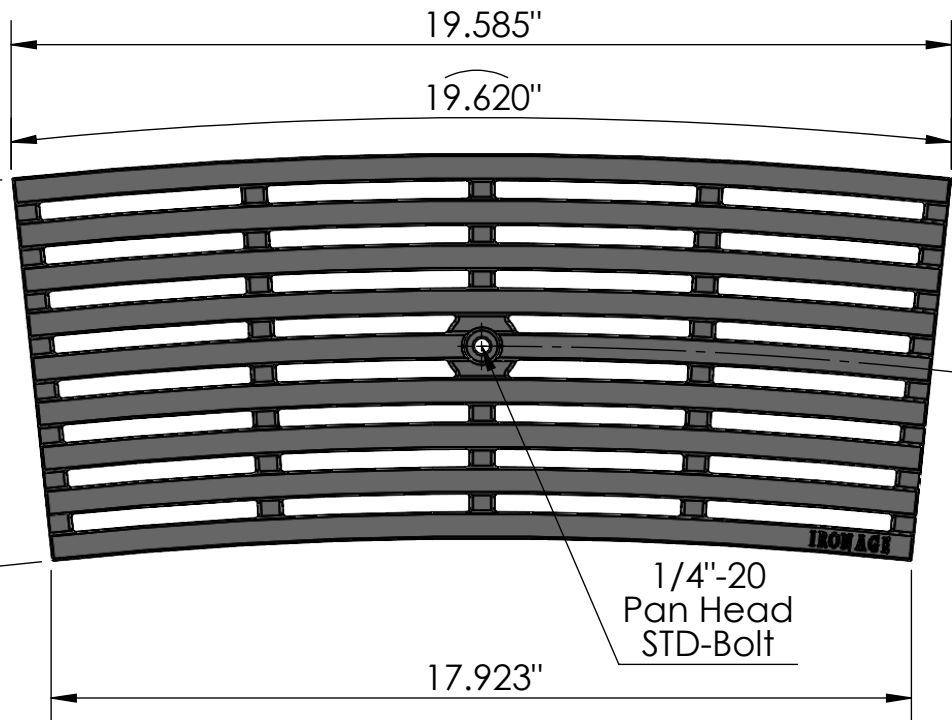


**3 ARRAY**  
scale 1:8



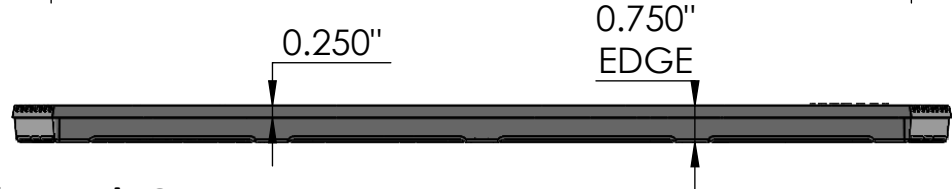
**TOP VIEW**  
scale 1:4



**CASTING-ID**  
scale 1:1

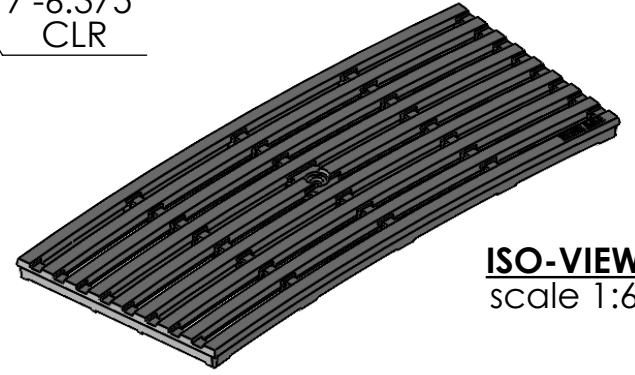


**SIDE VIEW**  
scale 1:4



7'-6.375"  
CLR

**ISO-VIEW**  
scale 1:6



**Que 8" x 20" Trench Grate**  
**7'-6" C.L.R.**

**NOTES:**

1. ADA Compliant: No thru openings greater than 1/2".
2. Ships in pieces: 1
3. Due to casting inconsistencies, all dimensions are nominal.

Made in USA ©2021 Iron Age Designs

**IRON AGE**  
**DESIGNS**  
Telephone 206.276.0925  
www.ironagegrates.com

<b>Material:</b> Ductile Iron 65-45-12	<b>Weight:</b> 12.46 lbs.	<b>Free Drain Area:</b> 47.90 in/sq., or 31.87 %	<b>By:</b> MS	<b>Checked:</b> MS	<b>Date:</b> 2-7-22
<b>Finish:</b> Raw	<b>Edge:</b> 0.750"	<b>Flow Rate:</b> 62.75 GPM, or .139 CuFt./sec.	<b>© Registration:</b> Pending	<b>Scale:</b> NTS	
<b>Fits:</b> Iron Age Custom Frame SOLD SEPARATELY	<b>Product ID:</b> QUR8-20I9990	<b>Drawing Name:</b> 01_QUE_I_8x90CLR_TrenchGrate			