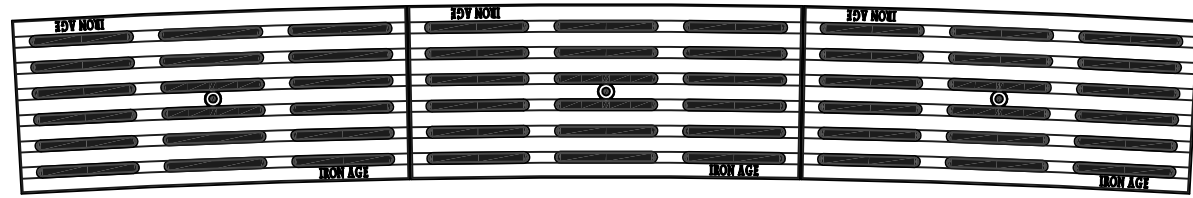
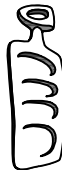
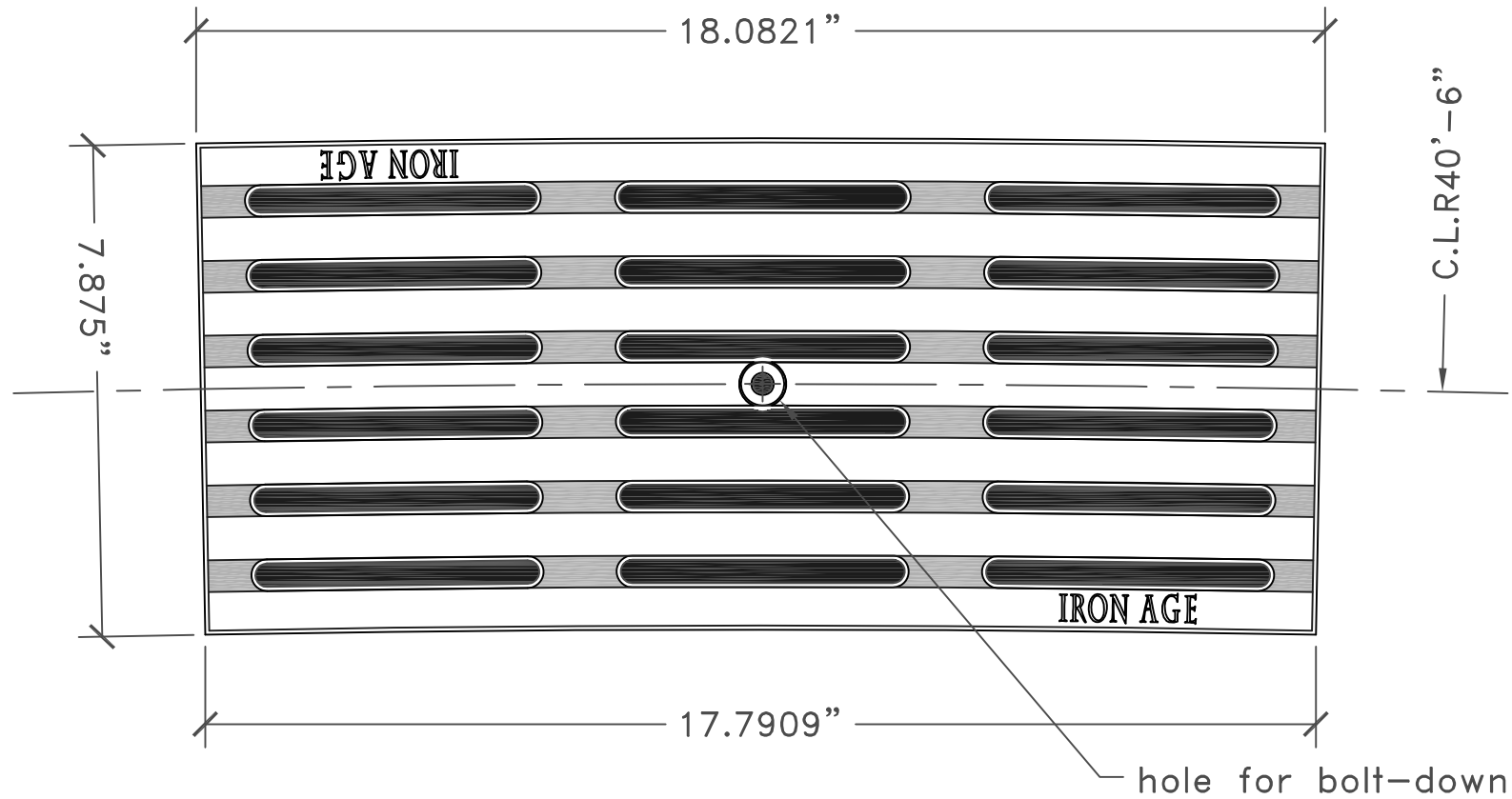


3 GRATES ARRAYED



TOP



IRON AGE
DESIGNS

2104 SW 152nd St. #4 TEL 206.276.0925
Burién, WA 98166 FAX 206.257.0318
www.ironagegrates.com

Que 8" Trench Grate
40'-6" C.L.R.

drawing no. 11-QUE.I.08x18x40.5'clr

drawn by: CD
scale: NTS
date: 01/14/10

NOTES:

1. Material: cast iron
2. Natural finish
3. Total thickness: $1\frac{3}{16}$ "
4. Fits frame manufactured by: Iron Age™
5. No openings greater than $\frac{1}{2}$ "
6. Due to casting inconsistencies, all dimensions are nominal.

© 2010 Iron Age Designs