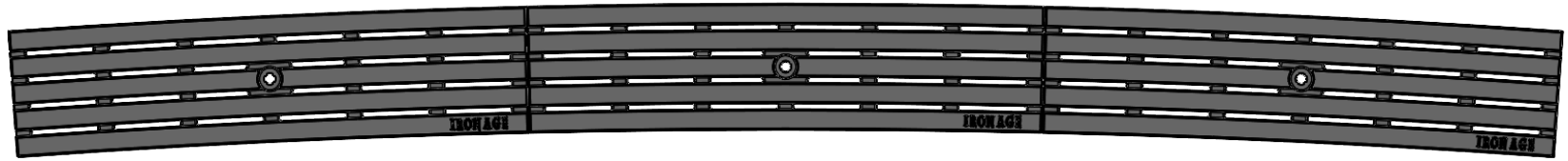
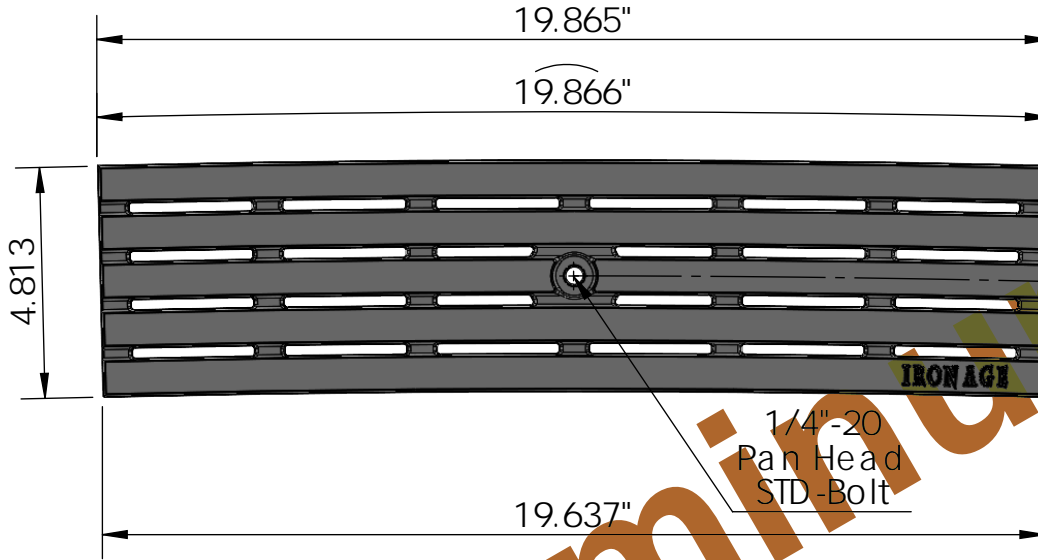


3 ARRAY
scale 1:7



TOP VIEW
scale 1:4



CASTING-ID
scale 1:3

1.250"
EDGE

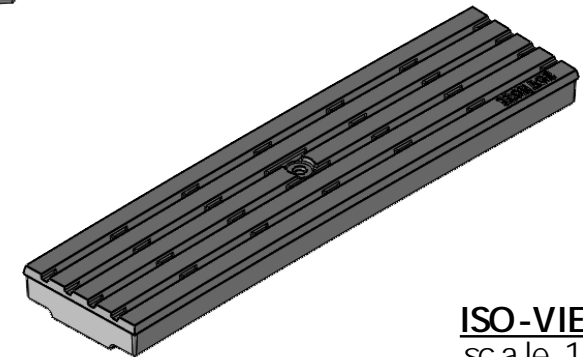


1.500"
at Belly



34'-10³/₄"
CLR

SIDE VIEW
scale 1:4




ISO-VIEW
scale 1:6

NOTES:

1. Heelproof: No thru openings greater than 1/4".
2. Ships in pieces: 1
3. Due to casting inconsistencies, all dimensions are nominal.

Made in USA © 2024 Iron Age Designs

Que 5' x 20' Trench Grate, Heelproof - Heavy Duty
34'-10³/₄" CLR.

 IRON AGE DESIGNS Telephone 206.276.0925 www.ironagegrates.com	Material: Cast Aluminum 356-T6	Weight: 8.09 lbs.	Free Drain Area: 12.94 in/sq., or 13.61 %	By: MS	Checked: MS	Date: 3-13-25
	Finish: Raw	Edge: 1.250"	Flow Rate: 16.95 GPM, or .037 CuFt./sec.	© Registration: Pending		Scale: NTS
	Fits: Iron Age Custom Frames SOLD SEPARATELY	Product ID: QUR5-20A9935HPHD	Drawing Name: 01_Que_I_5x35CLR_HPHD_TrenchGrate_Aluminum356-T6			