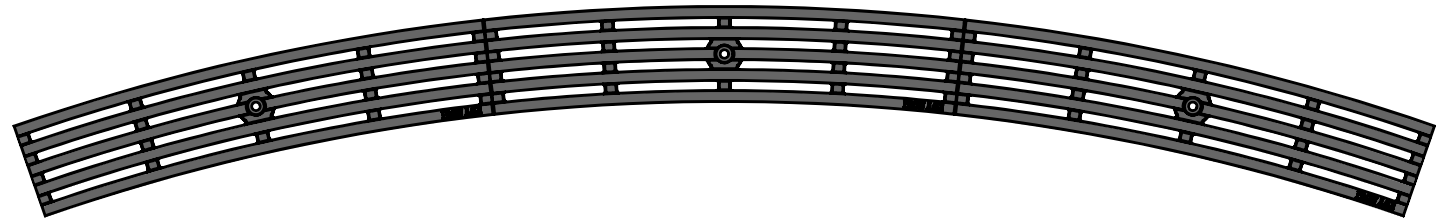
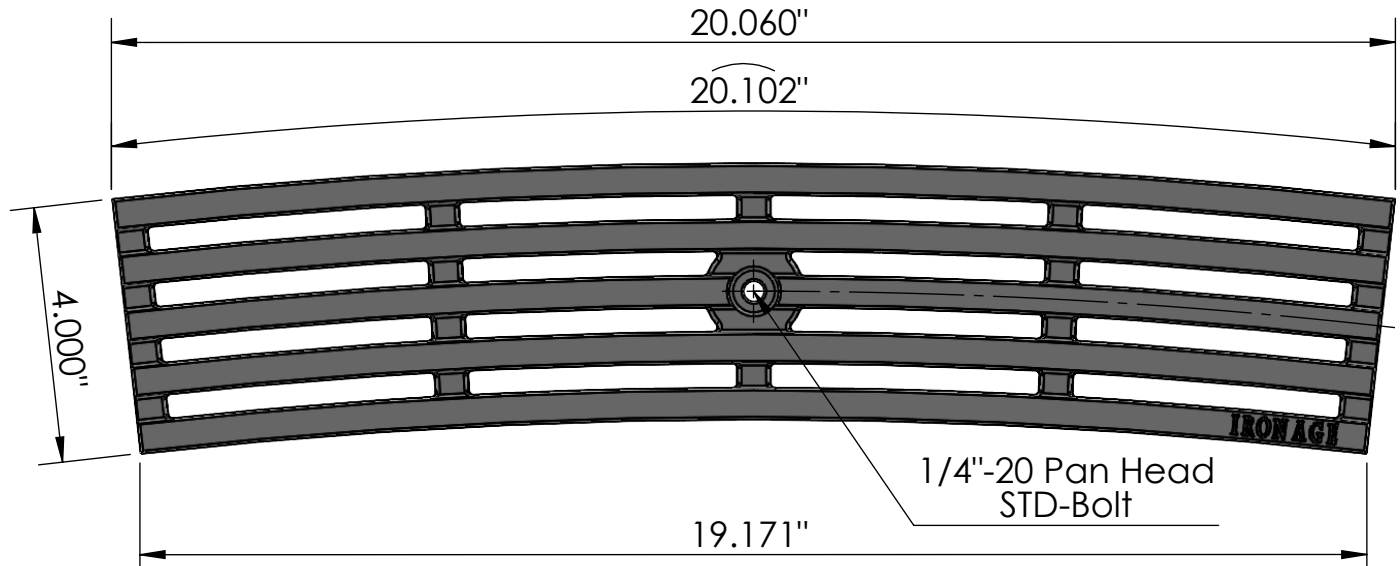
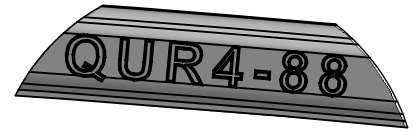


**3 ARRAY**  
scale 1:8



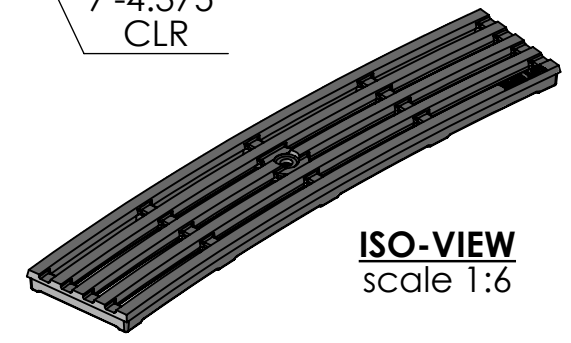
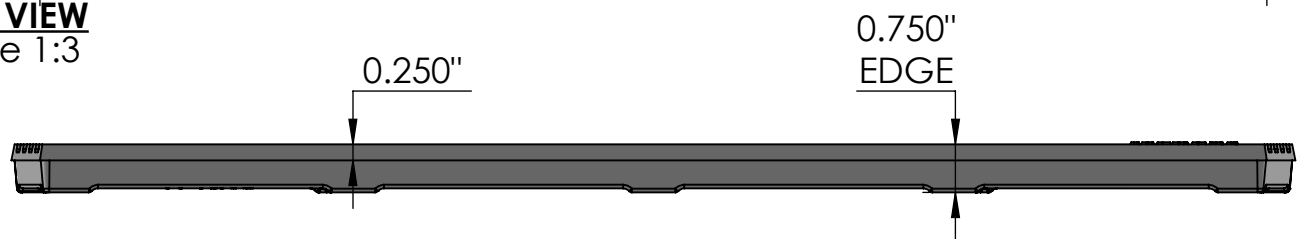
**TOP VIEW**  
scale 1:3

**CASTING-ID**  
scale 1:1



7'-4.375"  
CLR

**SIDE VIEW**  
scale 1:3




**ISO-VIEW**  
scale 1:6

**Que 4" x 20" Trench Grate**  
**7'-4" C.L.R.**

**NOTES:**

1. ADA Compliant: No thru openings greater than 1/2".
2. Ships in pieces: 1
3. Due to casting inconsistencies, all dimensions are nominal.

Made in USA ©2021 Iron Age Designs

 <b>IRON AGE</b> DESIGNS Telephone 206.276.0925 www.ironagegrates.com	<b>Material:</b> Ductile Iron 65-45-12	<b>Weight:</b> 6.55 lbs.	<b>Free Drain Area:</b> 24.95 in/sq., or 31.74 %	<b>By:</b> MS <b>Checked:</b> MS <b>Date:</b> 2-7-22
	<b>Finish:</b> Raw	<b>Edge:</b> 0.750"	<b>Flow Rate:</b> 32.69 GPM, or .072 CuFt./sec.	<b>© Registration:</b> Pending <b>Scale:</b> NTS
	<b>Fits:</b> Iron Age Custom Frame SOLD SEPARATELY	<b>Product ID:</b> QUR4-20I9988	<b>Drawing Name:</b> 01_QUE_I_4x88CLR_TrenchGrate	