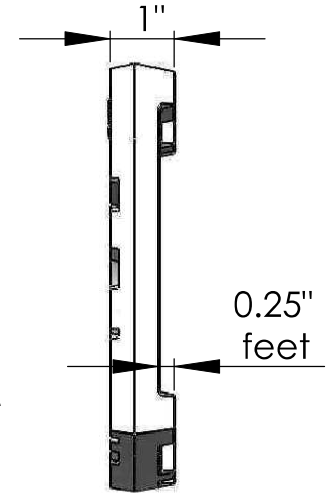
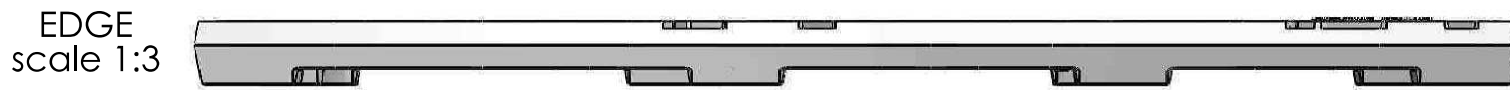


TOP
scale 1:3

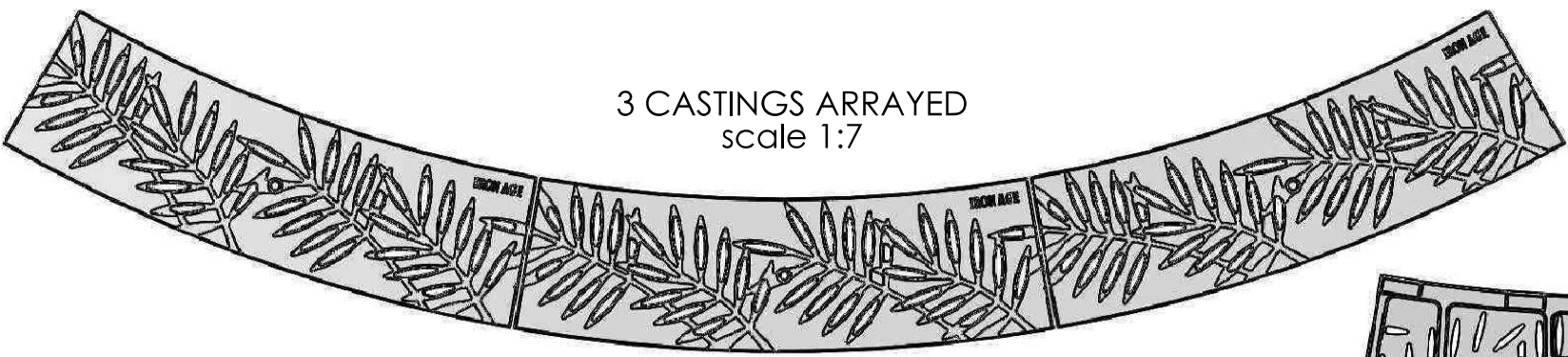


END
scale 1:3

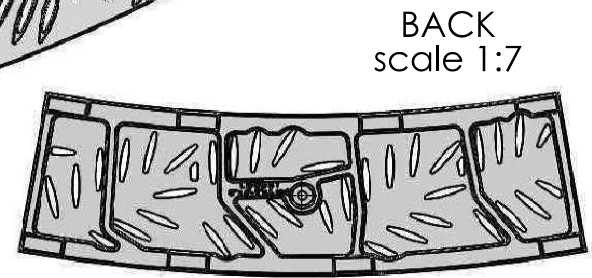
Hole for 1/4" bolt down



EDGE
scale 1:3



3 CASTINGS ARRAYED
scale 1:7



BACK
scale 1:7

 **IRON AGE** 2104 SW 152nd St #4 TEL 206.276.0925
DESIGNS Burién, WA 98166 FAX 206.257.0318
www.ironagedesigns.com

Locust 6" Trench Grate
4'-9" C.L.R.

Drawn by: CD
Date: 09/04/09
Scale: NTS

DWG. NO. LOC.I.6x4'9"CLrad

NOTES:

1. Material: cast iron
2. Finish: natural
3. Total Thickness: 1"
4. Fits frame manufactured by: Iron Age™
5. No openings greater than: 1/2"
6. Approx. weight approx. 13 lbs.
7. Due to casting inconsistencies all dimensions are nominal