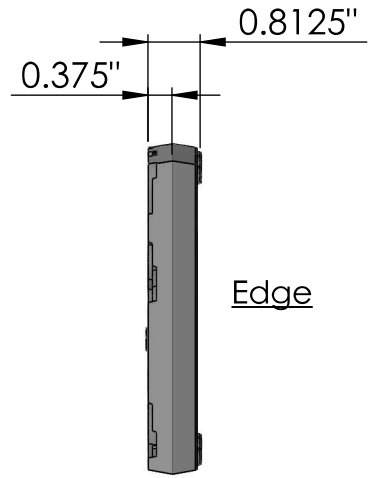
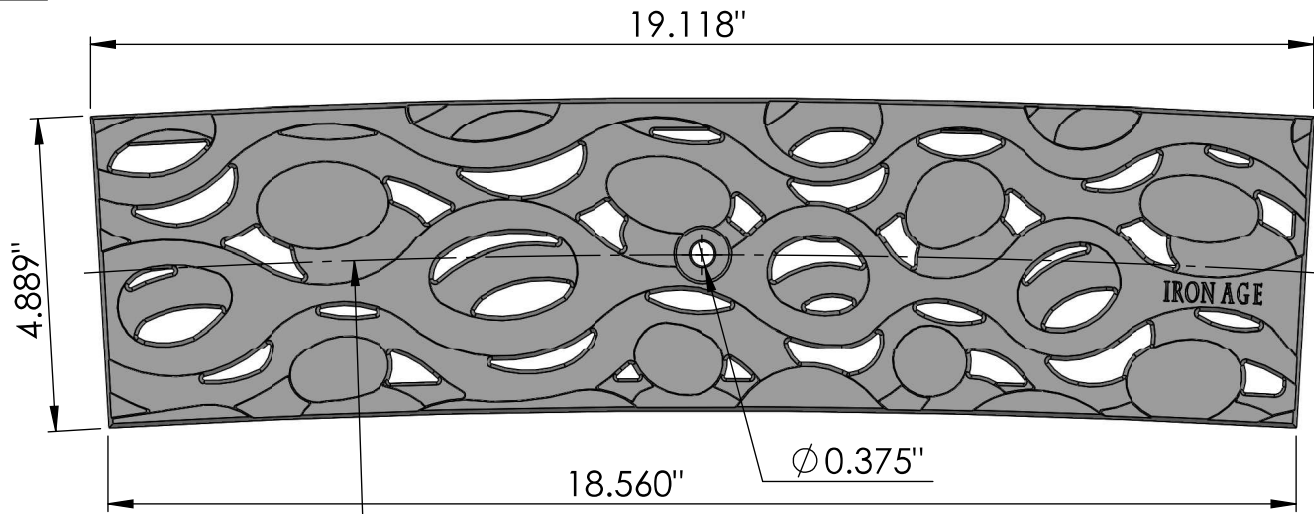


Front



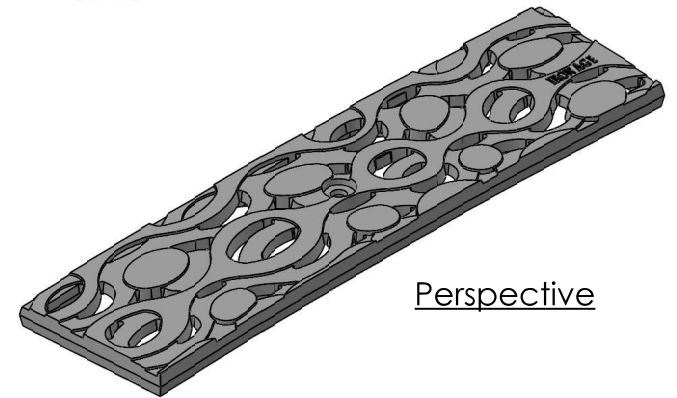
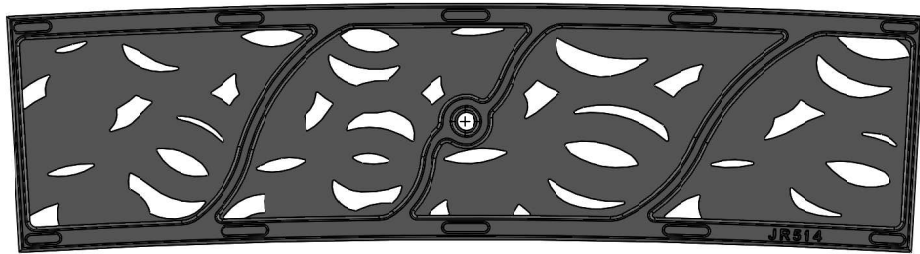
Edge

Side

CLR13'-9"



Back



Perspective



**IRON AGE** 2104 SW 152nd St #4 TEL 206.276.0925  
 Buriem, WA 98166 FAX 206.257.0318  
 DESIGNS www.ironagedesigns.com

Janis 5" Trench Grate  
 13'-9" C.L.R.

Drawn by: JH  
 Date: 3/7/13  
 Scale: NTS

DWG. NO. 01-JAN.I.5x13'9"CLR

NOTES:

1. Material: cast iron
2. Natural finish
3. Edge thickness: 13/16"
4. Fits custom frames by Iron Age
5. No openings greater than 1/2"
6. Weight approx. < 9 lbs
7. Due to casting inconsistencies all dimensions are nominal

© 2013 Iron Age Designs