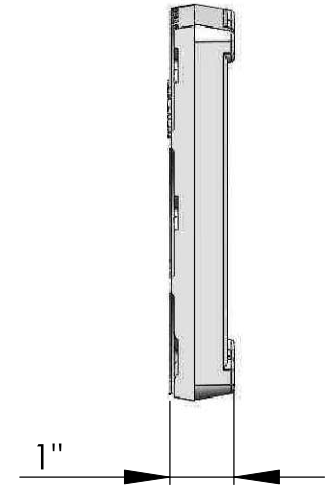
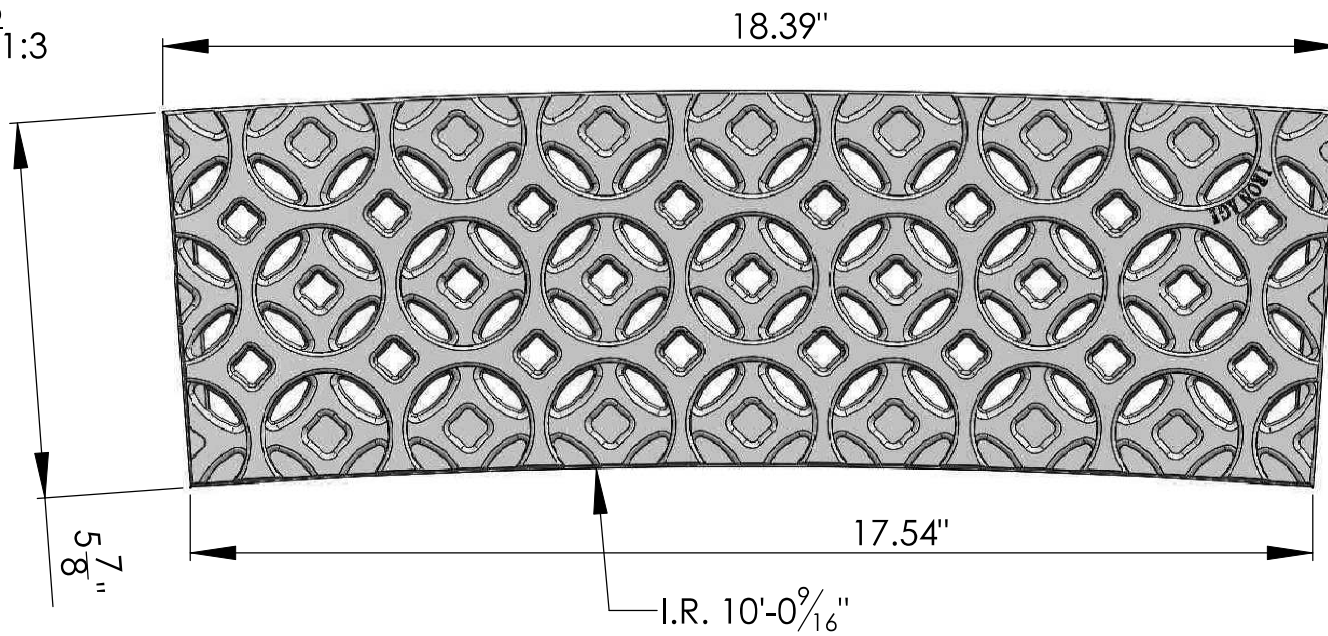
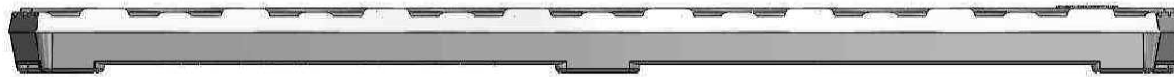


top  
scale 1:3

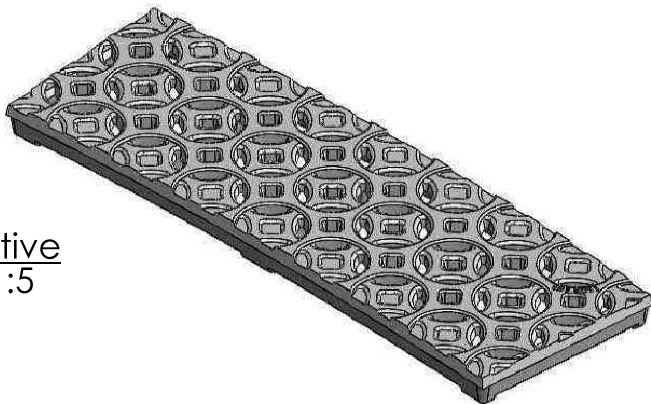


end  
scale 1:3

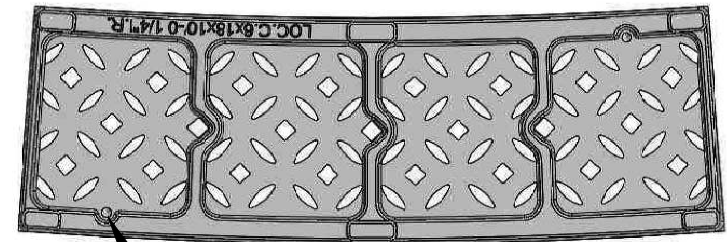
edge  
scale 1:3



perspective  
scale 1:5



back  
scale 1:3



**NOTES:**

1. Material: cast iron
2. Finish: Natural
3. Total Thickness: 1"
4. Frame by Iron Age®
5. No openings greater than: 1/2"
6. Due to casting inconsistencies all dimensions are nominal

**IRON AGE** 2104 SW 152nd St #4 TEL 206.276.0925  
 Burién, WA 98166 FAX 206.257.0318  
 DESIGNS www.ironagedesigns.com

Interlaken 6" Trench Grate  
 10'-4" C.L.R.

Drawn by: CD  
 Date: 04/11/09  
 Scale: 1:3

DWG. NO. INT.C.6x18IR10'-0.25"

© 2009 Iron Age Designs