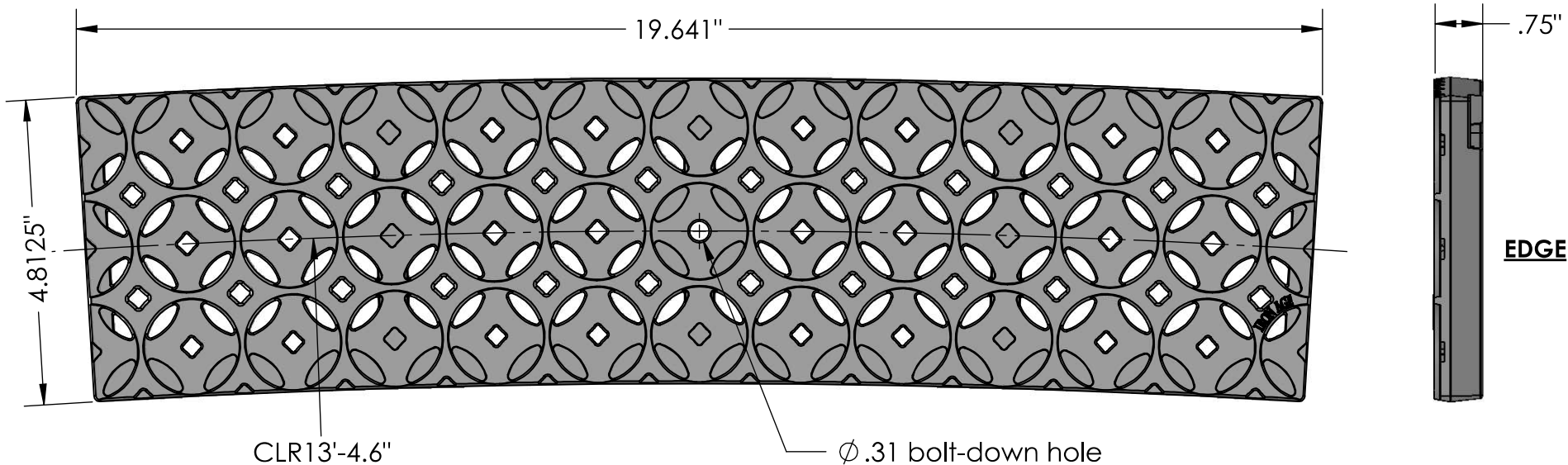


**TOP**



**SIDE**



**PERSPECTIVE**



**NOTES:**

1. Material: cast iron
2. Finish: Natural
3. Edge thickness: 3/4"
4. Fits frame by: Iron Age
5. Heelproof; No openings greater than 1/4"
6. Weight approx. <7lbs
7. Due to casting inconsistencies all dimensions are nominal

**IRON AGE** 2104 SW 152nd St #4 TEL 206.276.0925  
**DESIGNS** Burien, WA 98166 FAX 206.257.0318  
[www.ironagedrains.com](http://www.ironagedrains.com)

Interlaken 5" Heel-Proof Trench Grate  
 13'-5" C.L.R.  
 DWG. NO. 01-INT.I.13'5CLR  
 Drawn by: JH  
 Date: 6/4/15  
 Scale: Not to Scale