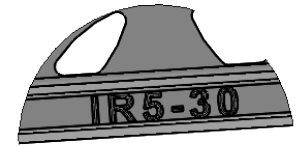
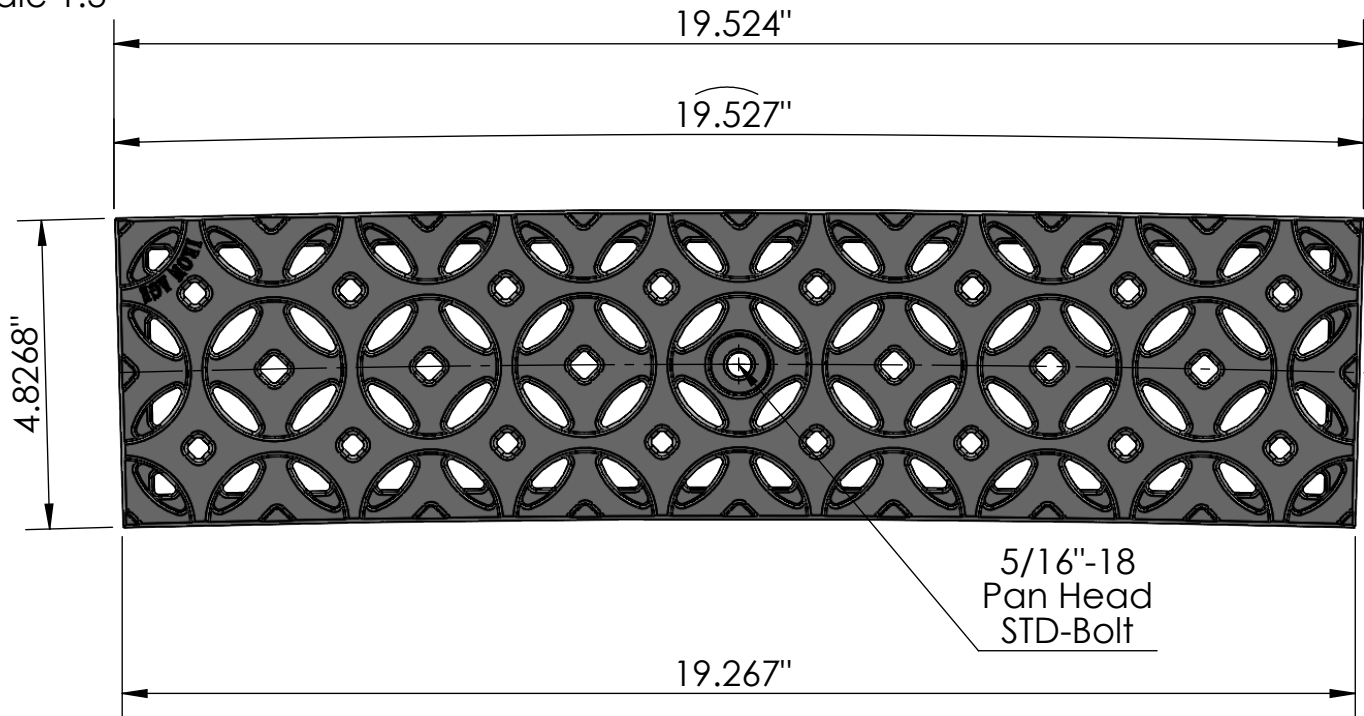


3 ARRAY
scale 1:8



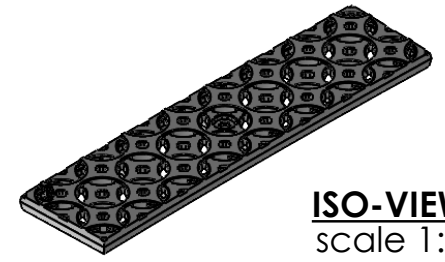
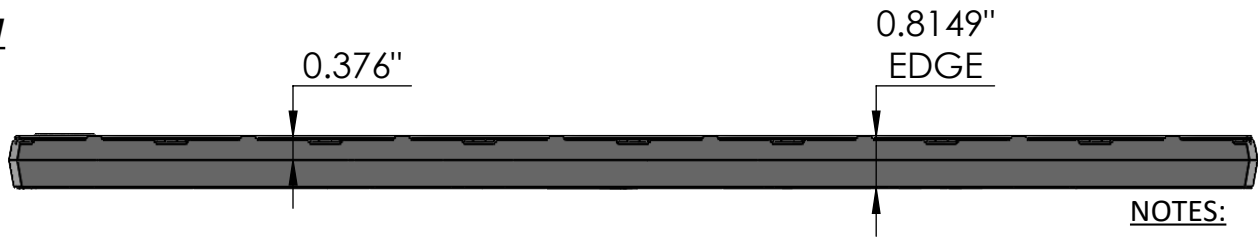
TOP VIEW
scale 1:3



CASTING-ID
scale 1:1.5

30'-2.34" C.L.R.

SIDE VIEW
scale 1:3




ISO-VIEW
scale 1:8

NOTES:

1. ADA Compliant: No thru openings greater than 1/2".
2. Ships in pieces: 1
3. Due to casting inconsistencies, all dimensions are nominal.

Made in USA ©2021 Iron Age Designs

Interlaken 5" x 20" Trench Grate
30'-2.34" C.L.R.

 IRON AGE DESIGNS Telephone 206.276.0925 www.ironagegrates.com	Material: Cast Iron A48	Weight: 8.99 lbs.	Free Drain Area: 13.69 in/sq., or 14.63 %	By: RJ	Checked: MS	Date: 3-17-21
	Finish: Raw	Edge: 0.8125"	Flow Rate: 17.64 GPM, or .040 CuFt./sec.	© Registration: Pending	Scale: NTS	
	Fits: Iron Age Custom Frames SOLD SEPARATELY	Product ID: IR5-19I9930	Drawing Name:	01_INT_I_5x30'-2.34"CLR_TrenchGrate_Iron		