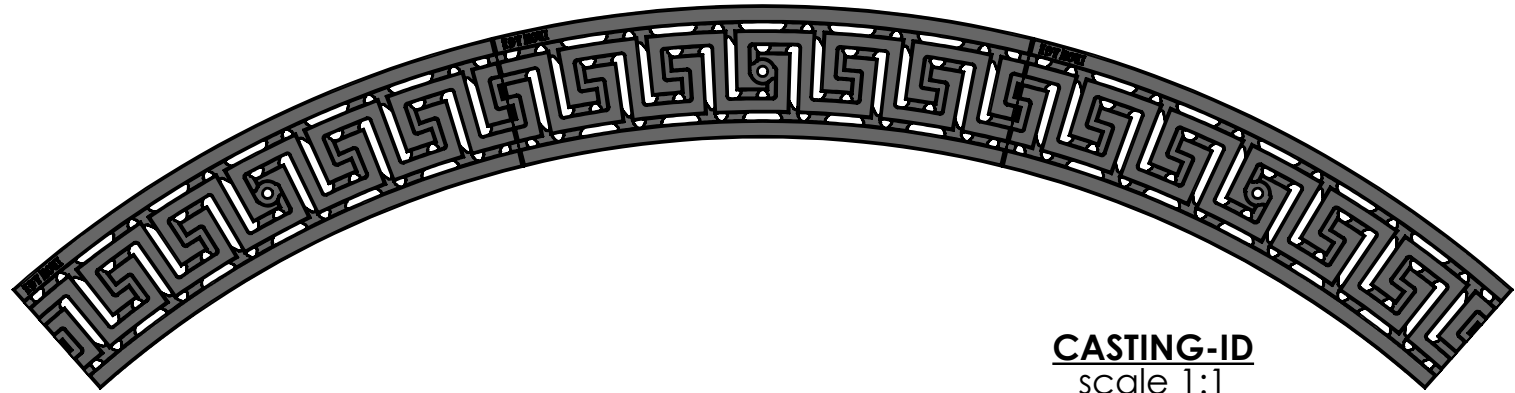
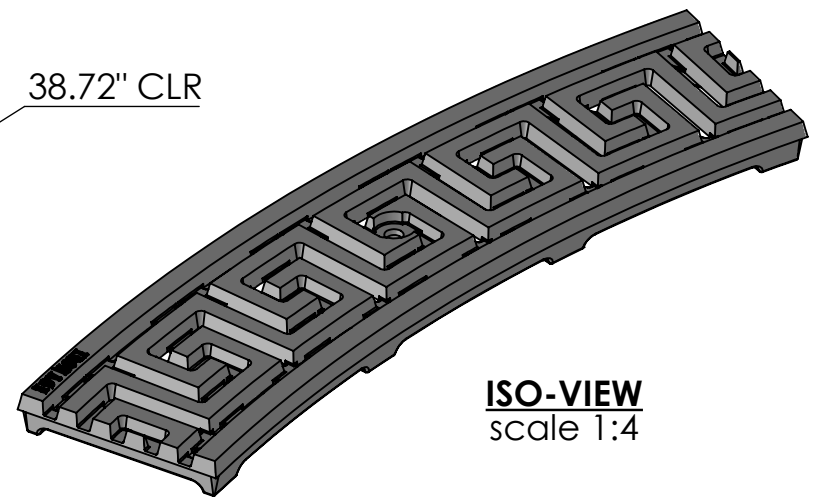
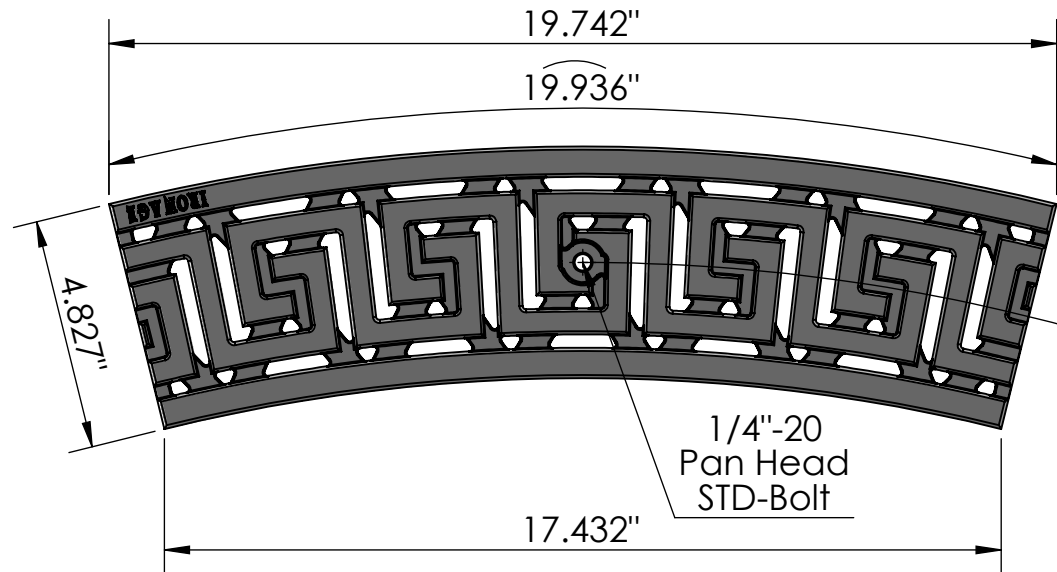


3 ARRAY
scale 1:7



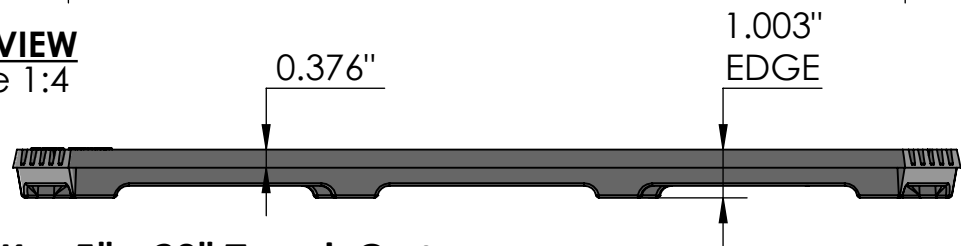
TOP VIEW
scale 1:4

CASTING-ID
scale 1:1



SIDE VIEW
scale 1:4

ISO-VIEW
scale 1:4




Greek Key 5" x 20" Trench Grate
3'-2.5" C.L.R.

NOTES:

1. ADA Compliant: No thru openings greater than 1/2".
2. Ships in pieces: 1
3. Due to casting inconsistencies, all dimensions are nominal.

Made in USA ©2021 Iron Age Designs

 IRON AGE DESIGNS Telephone 206.276.0925 www.ironagegrates.com	Material: Cast Iron A 48	Weight: 9.78 lbs.	Free Drain Area: 14.53 in/sq., or 16.04 %	By: MS Checked: MS Date: 11-16-21
	Finish: Raw	Edge: 1.000"	Flow Rate: 19.04 GPM, or .042 CuFt./sec.	© Registration: Pending Scale: NTS
	Fits: Iron Age Custom Frames SOLD SEPARATELY	Product ID: GR5-191993	Drawing Name: 01_GR_I_5x39CLR_TrenchGrate_Iron	