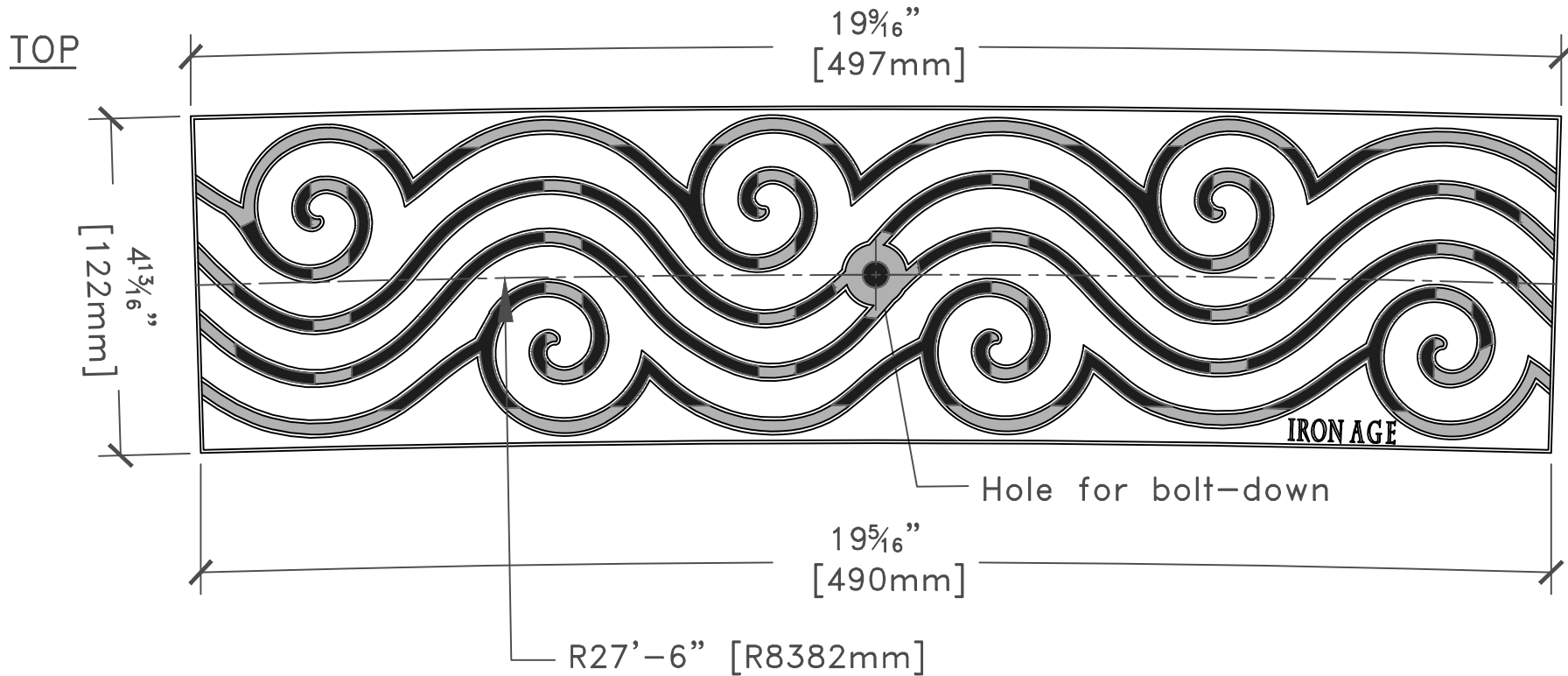
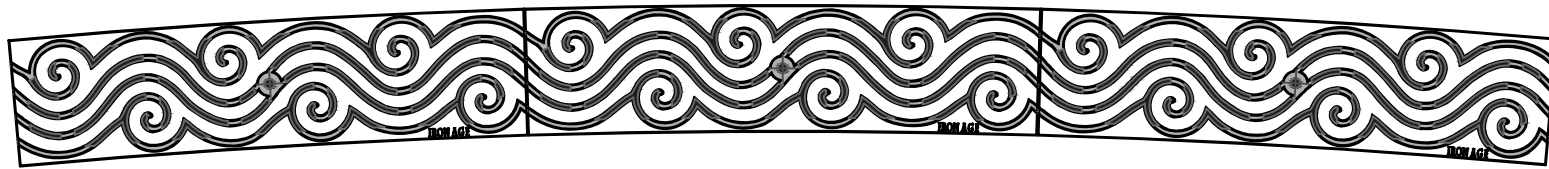


3 GRATES ARRAYED



NOTES:

1. Material: cast iron
2. Natural finish
3. Total thickness: $\frac{13}{16}$ "
4. Fits custom frames by Iron Age®
5. No openings greater than $\frac{1}{4}$ "
6. Due to casting inconsistencies, all dimensions are nominal.



IRON AGE
DESIGNS

2104 SW 152nd St. #4 TEL 206.276.0925
Burien, WA 98166 FAX 206.257.0318
www.ironagegrates.com

© 2011 Iron Age Designs

Argo 5" Heel-Proof Trench Grate
27'-6" C.L.R.
drawing no. ARG.I.05x20.27'-6"rad

drawn by: JH
scale: NTS
date: 10/04/11