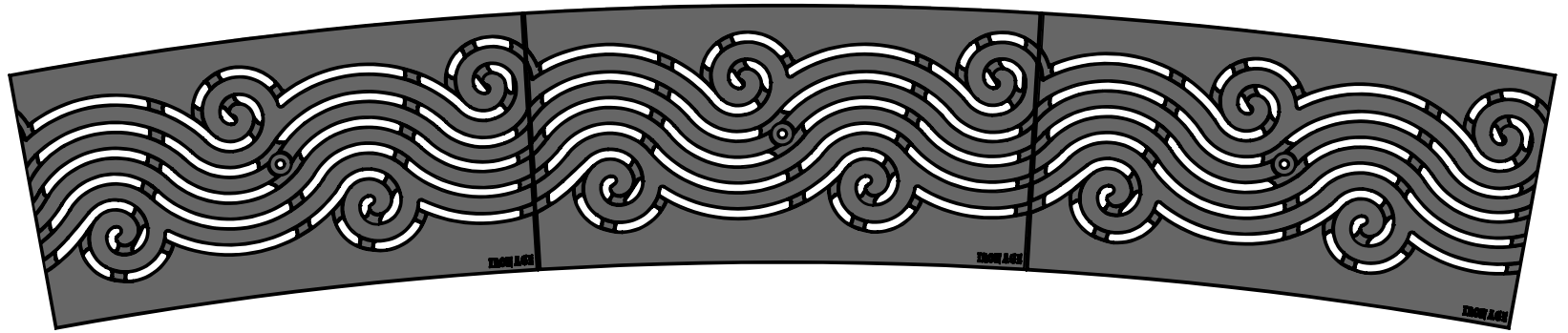
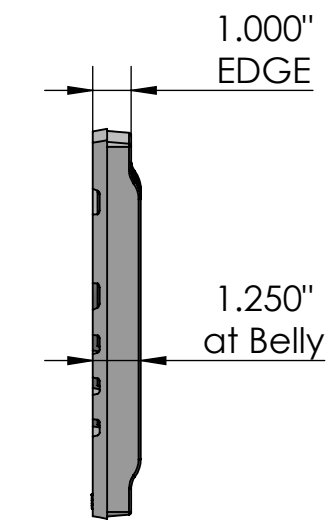
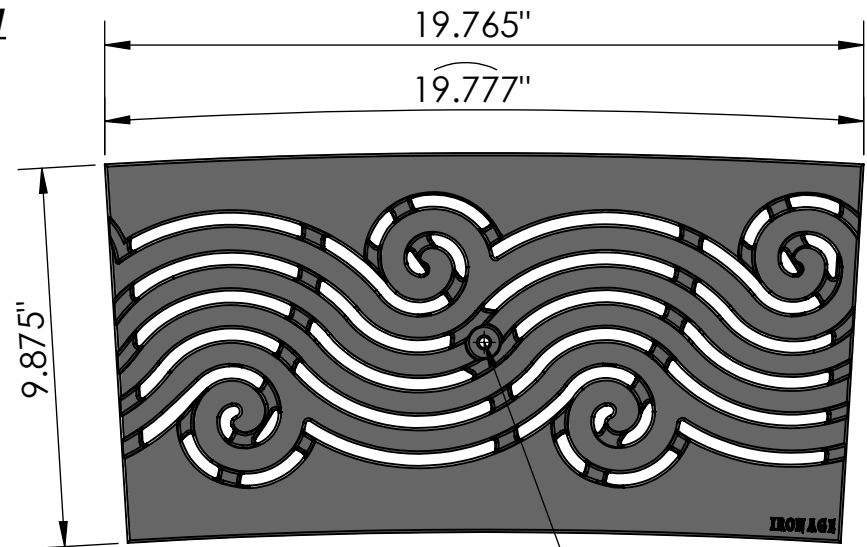


**3 ARRAY**  
scale 1:7



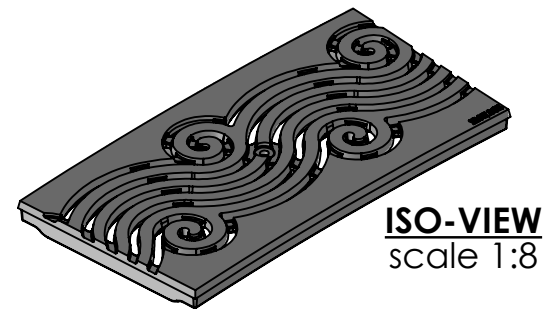
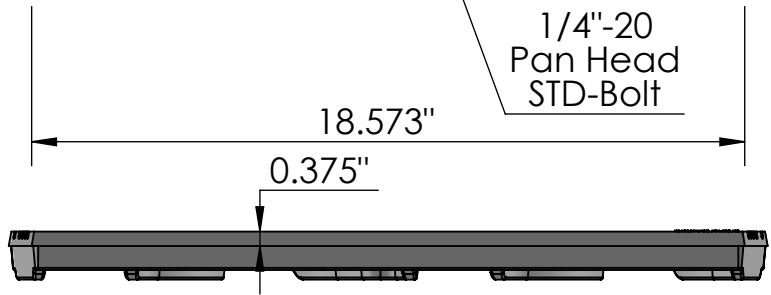
**TOP VIEW**  
scale 1:5



**CASTING-ID**  
scale 1:2



**SIDE VIEW**  
scale 1:5




**ISO-VIEW**  
scale 1:8

**Argo 10" x 19" Trench Grate - Heavy Duty**  
**13'-3" C.L.R.**

**NOTES:**

1. ADA Compliant: No thru openings greater than 1/2".
2. Ships in pieces: 1
3. Due to casting inconsistencies, all dimensions are nominal.

Made in USA ©2020 Iron Age Designs

 <b>IRON AGE</b> DESIGNS Telephone 206.276.0925 www.ironagegrates.com	Material: Ductile Iron 65-45-12	Weight: 25.05 lbs.	Free Drain Area: 33.02 in/sq., or 17.43 %	By: MS	Checked: MS	Date: 11-15-21
	Finish: Raw	Edge: 1.000"	Flow Rate: 43.26 GPM, or .096 CuFt./sec.	© Registration: Pending	Scale: NTS	
	Fits: Iron Age Custom Frames SOLD SEPARATELY	Product ID: AR10-19I9913	Drawing Name: 01_ARG_I_10x13'3"CLR_HD_TrenchGrate			