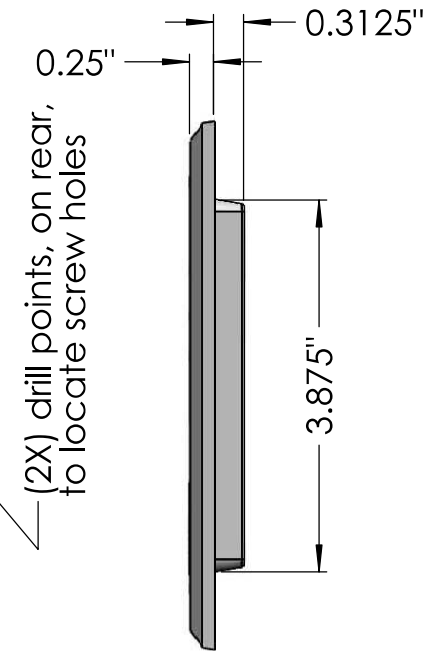
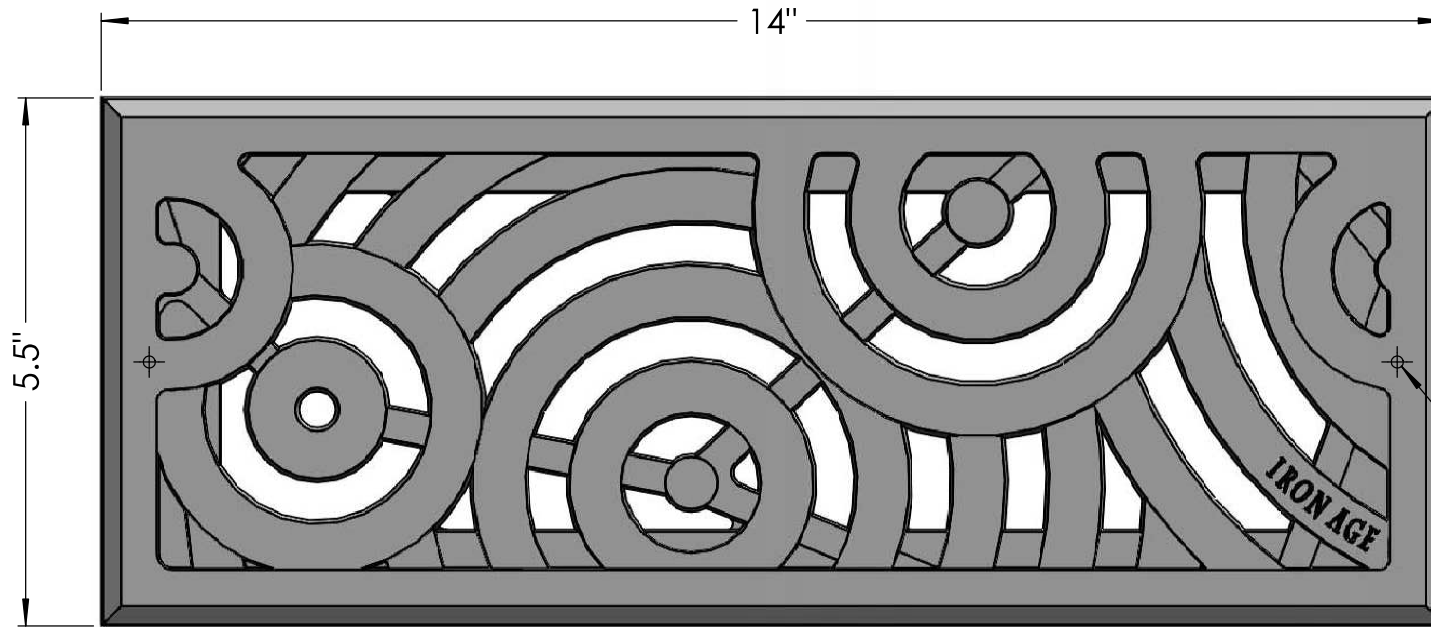
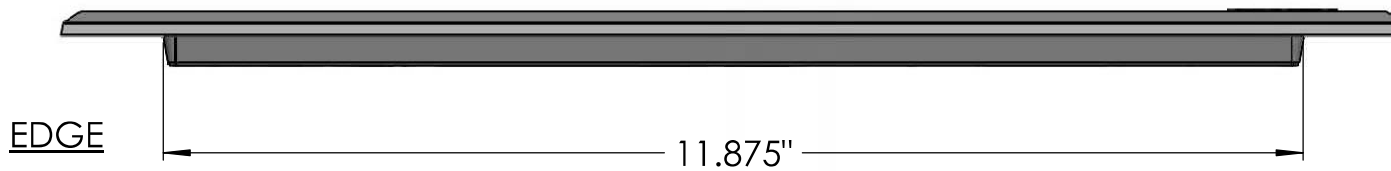


TOP



END



EDGE

 **IRON AGE** 2104 SW 152nd St #4 TEL 206.276.0925  
 Burien, WA 98166 FAX 206.257.0318  
**DESIGNS** www.ironagedesigns.com

NOTES:

1. Material: cast ductile iron
2. Finish: Baked on oil or powder coat
3. Fits 4"x12" opening, Free area = 12.44" sq (26%)
4. Approx 4.5 lbs.
5. Damper available separately

**Oblio 4"x12" Register Cover**

JOB NO. Drawn by: CD  
 DWG. NO. N.04-OBL.reg.4x12 Date: **4/2/13**  
 Scale: NTS

© 2013 Iron Age Designs Registration Number: VA 2-112-771