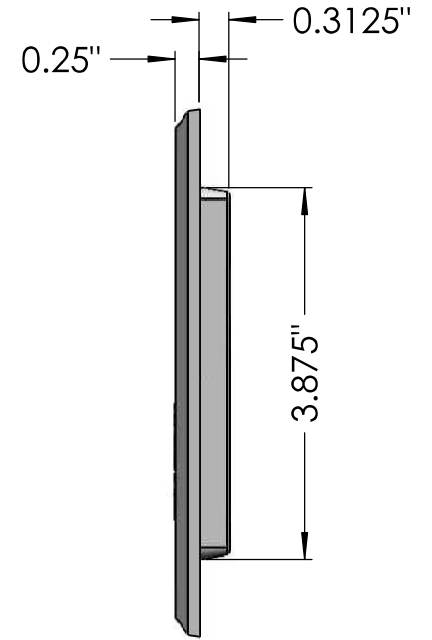
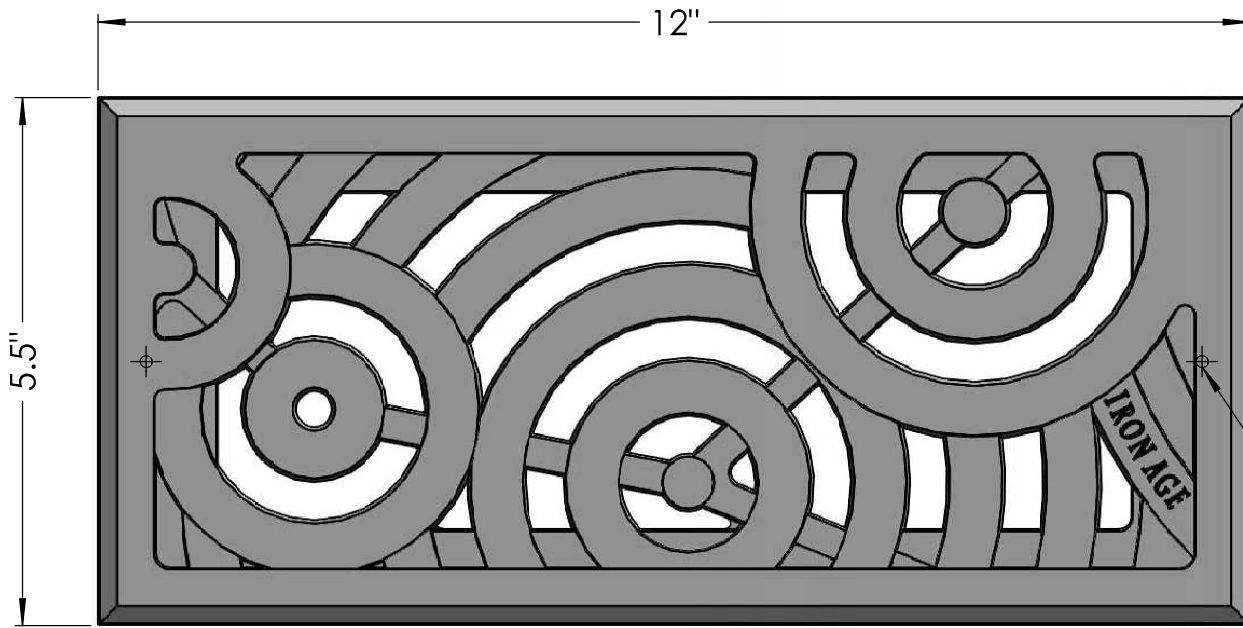
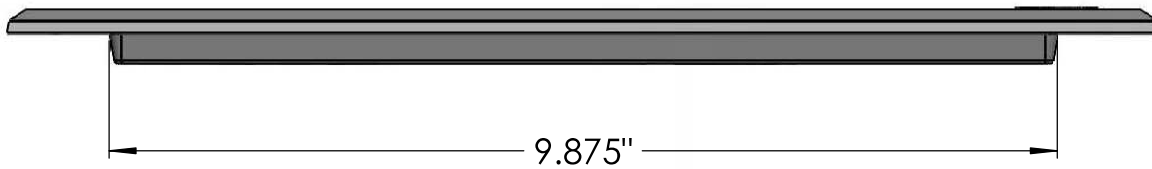


TOP




END

EDGE



(2X) drill points, on rear,
to locate screw holes

 **IRON AGE** 2104 SW 152nd St #4 TEL 206.276.0925
 Burien, WA 98166 FAX 206.257.0318
DESIGNS www.ironagedesigns.com

- NOTES:**
1. Material: cast ductile iron
 2. Finish: Baked on oil or powder coat
 3. Fits 4"x10" opening, Free area = 10.32" sq (25.8%)
 4. Approx 3.89 lbs.
 5. Damper available separately

Oblio 4"x10" Register Cover

JOB NO. Drawn by: CD
 DWG. NO. N.04-OBL.reg.4x10 Date: 1/14/13
 Scale: NTS

© 2013 Iron Age Designs

Registration Number:
VA 1-970-704