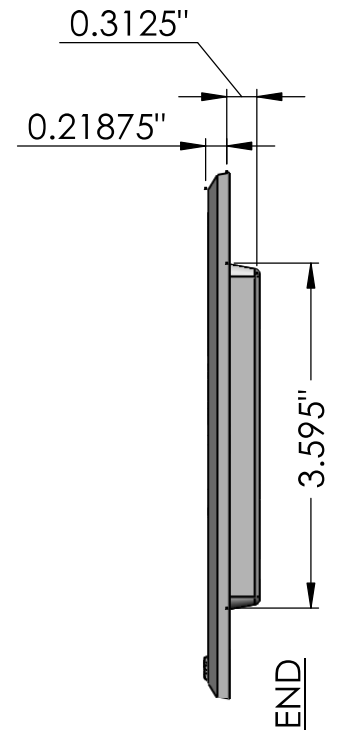
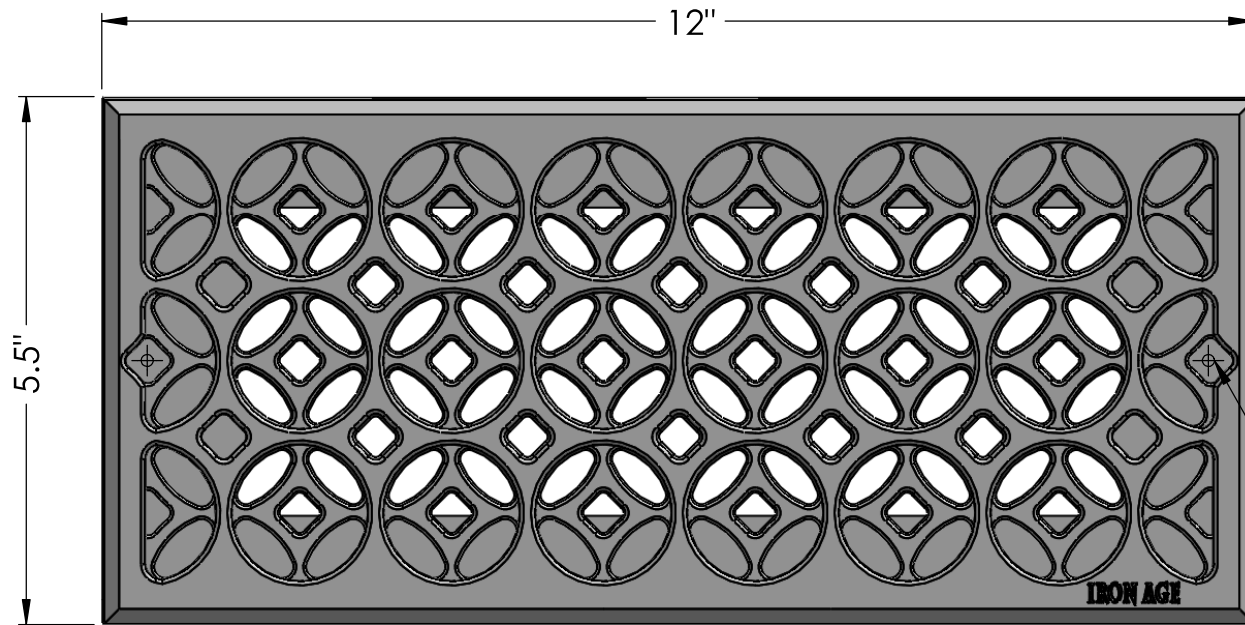
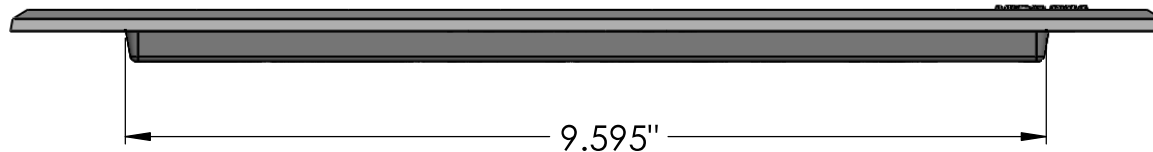


TOP



(2X) drill points, on rear, to locate screw holes

EDGE



IRON AGE 2104 SW 152nd St #4 TEL 206.276.0925
 Burien, WA 98166 FAX 206.257.0318
DESIGNS www.ironagedesigns.com

NOTES:

1. Material: cast ductile iron
2. Finish: Baked on oil, Option: powder coat
3. Fits 4"x10" opening, Free area = 10.75"sq. (26.9%)
4. Approx. 3.23 lbs.
5. Damper available separately

Interlaken 4"x10" Register Cover

JOB NO. xxx

Drawn by: CD

DWG. NO. 001-INTr.Reg.4x10

Date: 12/21/17

Scale: 1:2

Registration Number:
VA 1-971-920

© 2017 Iron Age Designs

Patent No. US D575,881 S