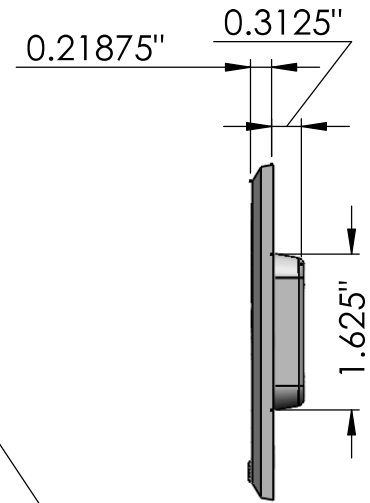
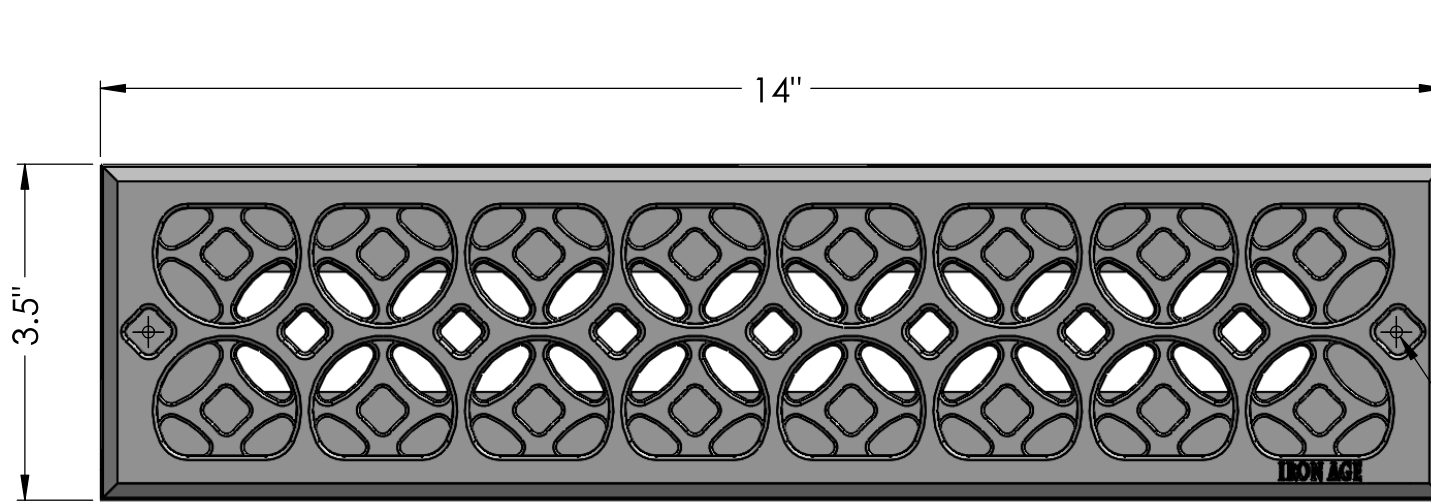


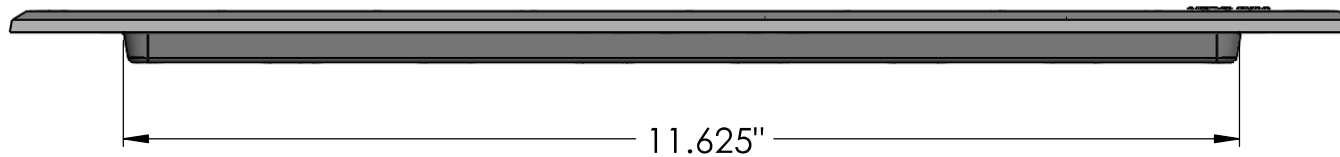
TOP



(2X) drill points, on rear, to locate screw holes

END

EDGE



 **IRON AGE** 2104 SW 152nd St #4 TEL 206.276.0925  
 Burien, WA 98166 FAX 206.257.0318  
**DESIGNS** www.ironagedesigns.com

- NOTES:**
1. Material: cast ductile iron
  2. Finish: Baked on oil or powder coat
  3. Fits 2"x12" opening, Free area = 5.3"sq. (22%)
  4. Approx. 2.35 lbs.

**Interlaken 2"x12" Register Cover**  
 JOB NO. xxx Drawn by: CD  
 DWG. NO. 001-INTr.Reg.2x12 Date: 12/21/17  
 Scale: 1:2

© 2017 Iron Age Designs

Patent No. US D575,881 S