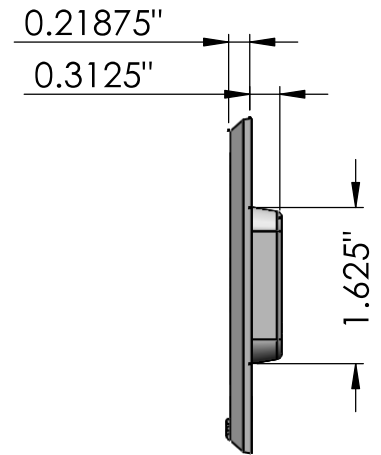
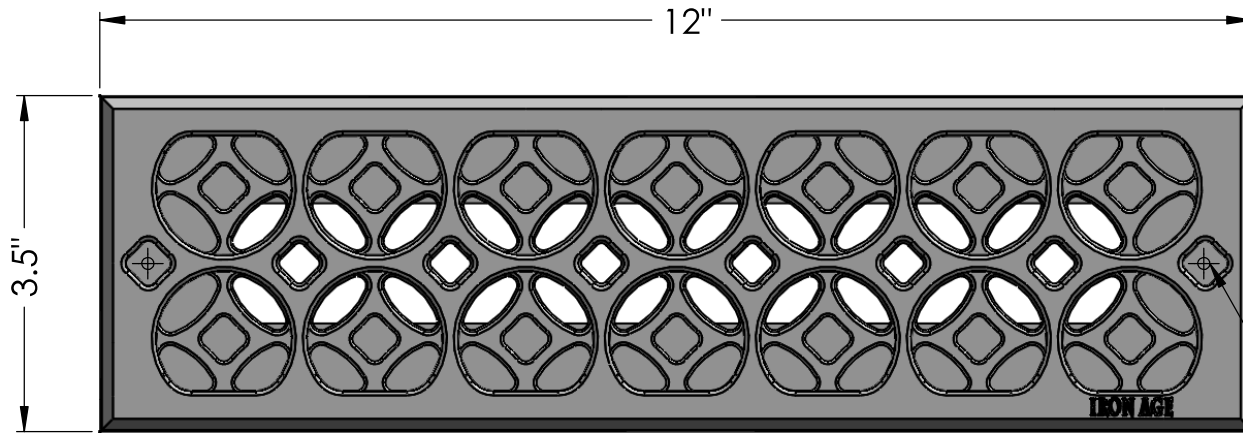


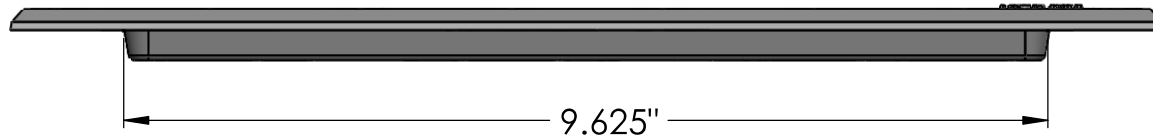
TOP



END

(2X) drill points, on rear,
to locate screw holes

EDGE



IRON AGE
DESIGNS

2104 SW 152nd S #4 TEL 206.276.0926
Burien, WA 98166 FAX 206.257.0318
www.ironagedesigns.com

NOTES:

1. Material: cast ductile iron
2. Finish: Baked on oil or powder coat
3. Fits 2"x10" opening, Free area = 4.45"sq. (22%)
4. Approx. 2 lbs.

Interlaken 2"x10" Register Cover

JOB NO. xxx

Drawn by: CD

DWG. NO. 001-INTr.Reg.2x10

Date: 12/21/17

Scale: 1:2

© 2017 Iron Age Designs

Patent No.
US D575,881 S