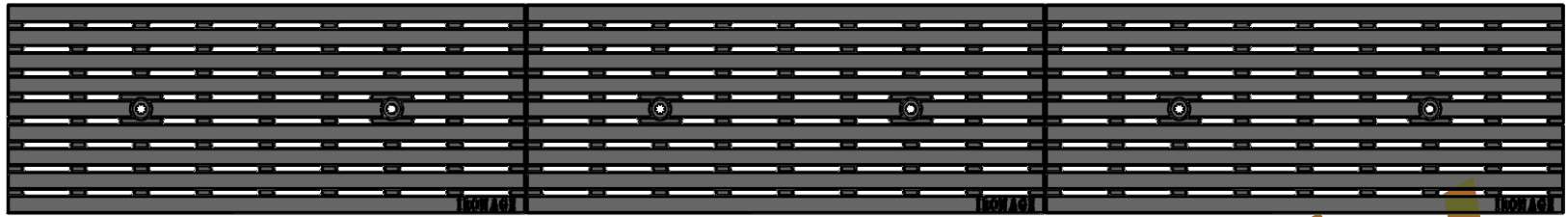
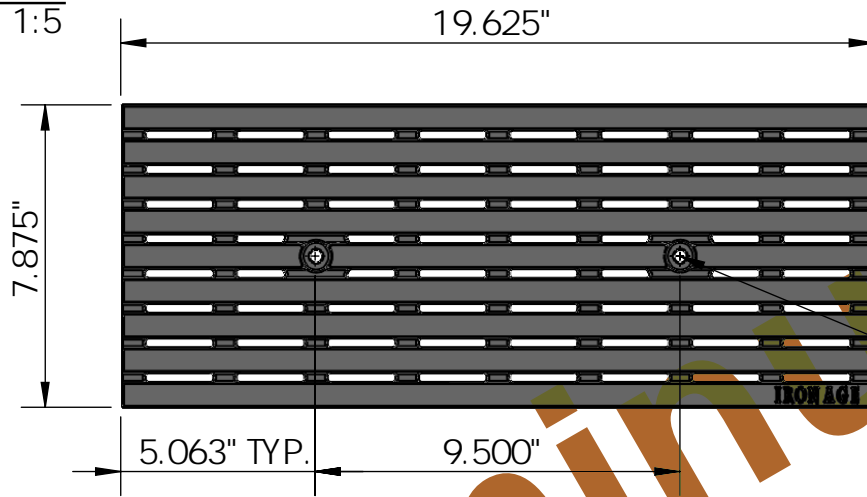


3 ARRAY
scale 1:7



TOP VIEW
scale 1:5

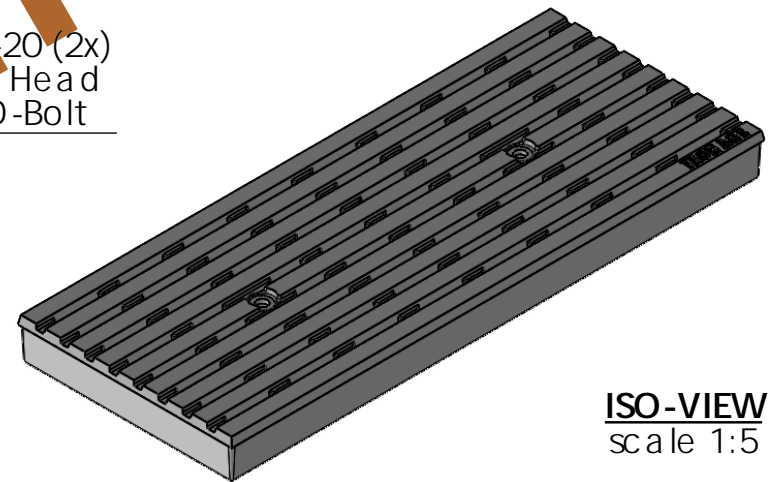
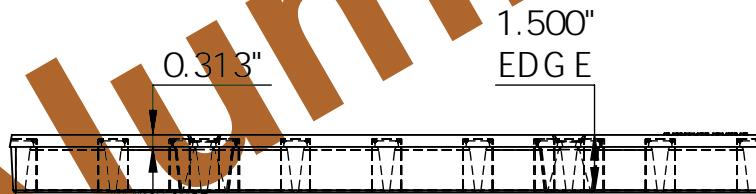


CASTING-ID
scale 1:2



1/4"-20 (2x)
Pan Head
STD-Bolt

SIDE VIEW
scale 1:5



ISO-VIEW
scale 1:5

NOTES:

1. Heelproof: No thru openings greater than 1/4".
2. Ships in pieces: 1
3. Due to casting inconsistencies, all dimensions are nominal.

Made in USA © 2024 Iron Age Designs

Que 8' x 20' Trench Grate, Heelproof - Heavy Duty

<p>IRON AGE DESIGNS Telephone 206.276.0925 www.ironagegrates.com</p>	Material: Cast Aluminum 356-T6	Weight: 12.97lbs.	Free Drain Area: 23.46 in./sq. or 15.18 %	By: MS	Checked: MS	Date: 3-17-25
	Finish: Raw	Edge: 1.500"	Flow Rate: 30.73 GPM, or .068 CuFt./sec.	© Registration: Pending		Scale: NTS
	Fits: Iron Age Custom Frames SOLD SEPARATELY	Product ID: QUX8-20A99HPHD	Drawing Name: 01_Que_A_8x20HPHD_TrenchGrate_Aluminum356-T6			