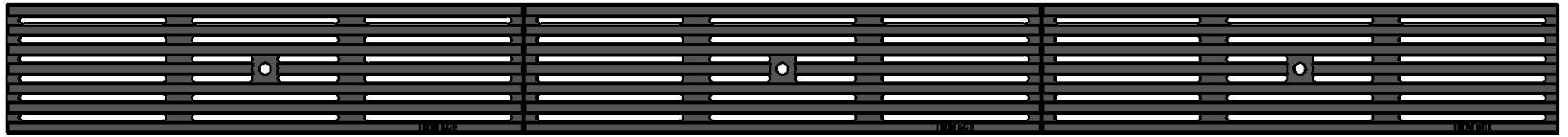
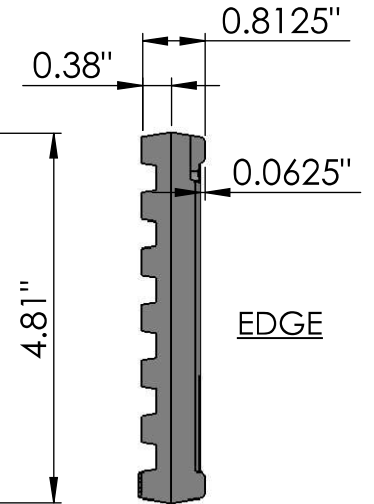
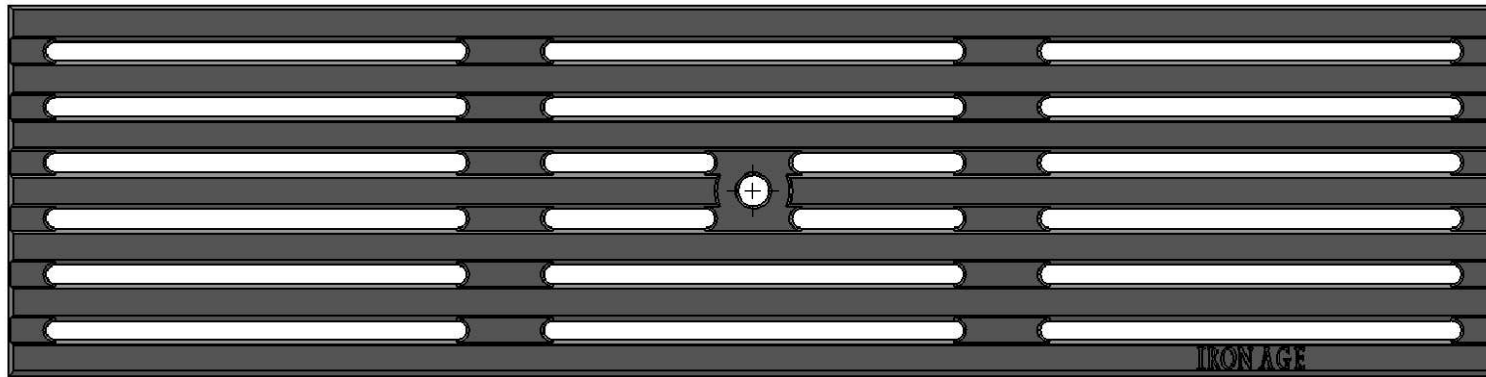



x3 Arrayed



TOP

19.438"



 **IRON AGE** 2104 SW 152<sup>nd</sup> St. #4 TEL 206.276.0925  
DESIGNS Burién, WA 98166 FAX 206.257.0318  
www.ironagedesigns.com

**Que 5"x20" Heel- Proof Trench Grate**

JOB NO.  
DWG. NO. QUE.I.5x20\_Alum

Drawn by: JH  
Date: 12/28/12  
Scale: NTS

**NOTES:**

1. Material: cast ductile iron
2. Natural finish
3. Edge thickness: 7/8"
4. No openings greater than 1/4"
5. Weight approx. <12lbs
6. Fits drain bodies manufactured by:  
**ABT® PolyDrain®, ACO™ K100/K100S/KS100, MEA® 1000 Series**
7. Due to casting inconsistencies all dimensions are nominal