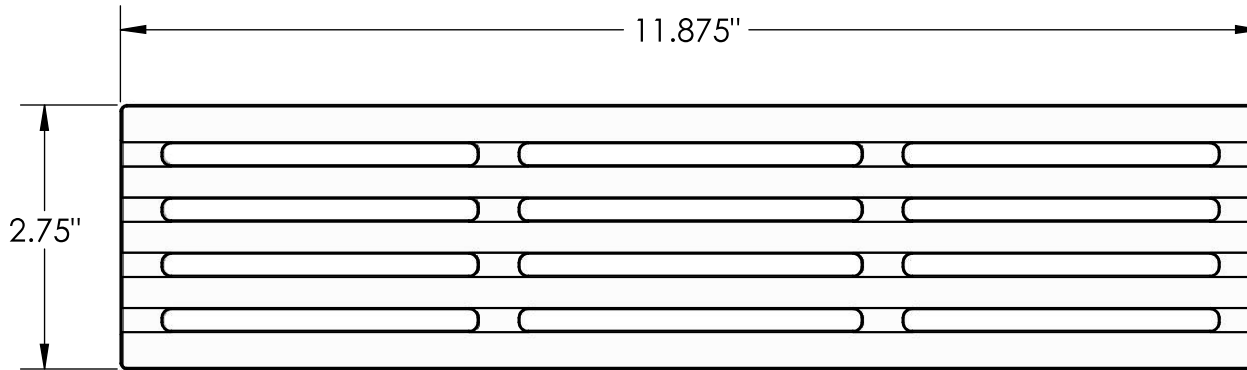


**Top**

Scale 1:2



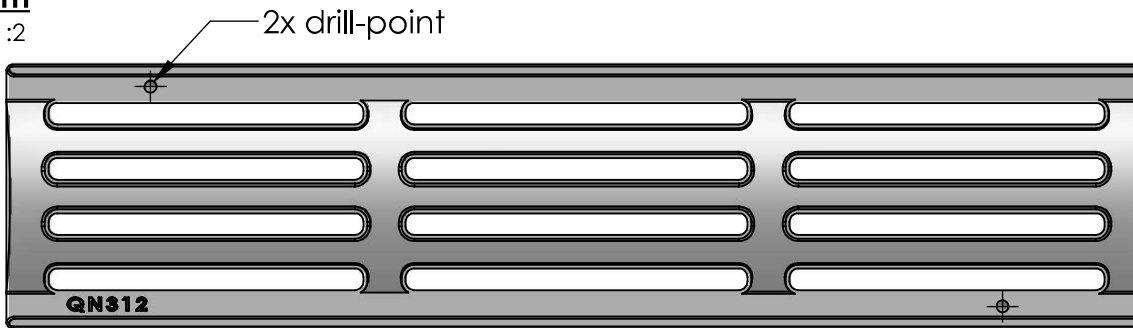
**Side**

Scale 1:2



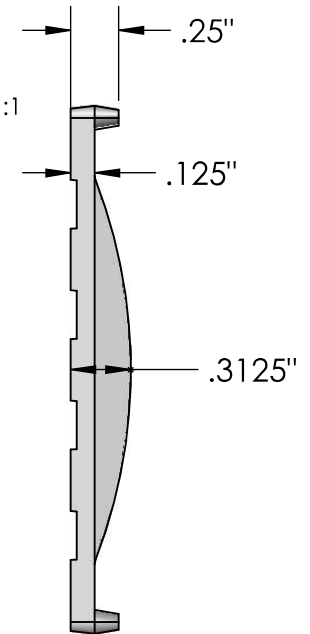
**Bottom**

Scale 1:2



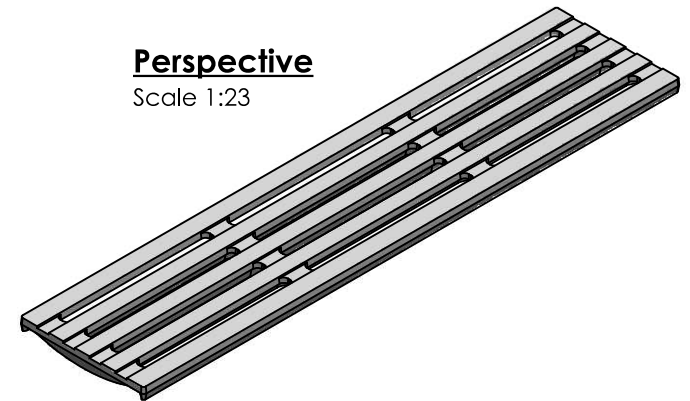
**Edge**

Scale 1:1



**Perspective**

Scale 1:23



**IRON AGE** 2104 SW 152nd St #4 TEL 206.276.0925  
 DESIGNS Burién, WA 98166 FAX 206.257.0318  
 www.ironagedesigns.com

**Que 3"x12" Heel-Proof Trench Grate**

JOB NO. Drawn by: JH  
 DWG. NO. 01-QUE.N.3x12 Date: 12/3/14  
 Scale: Not to Scale

**NOTES:**

1. Material: cast ductile iron
2. Finish: Natural
3. Edge thickness: 1/4"
4. Fits frame by: NDS Mini-Channel
5. Heel-Proof; No openings greater than 1/4"
6. Weight approx. 2 lbs.
7. Due to casting inconsistencies all dimensions are nominal