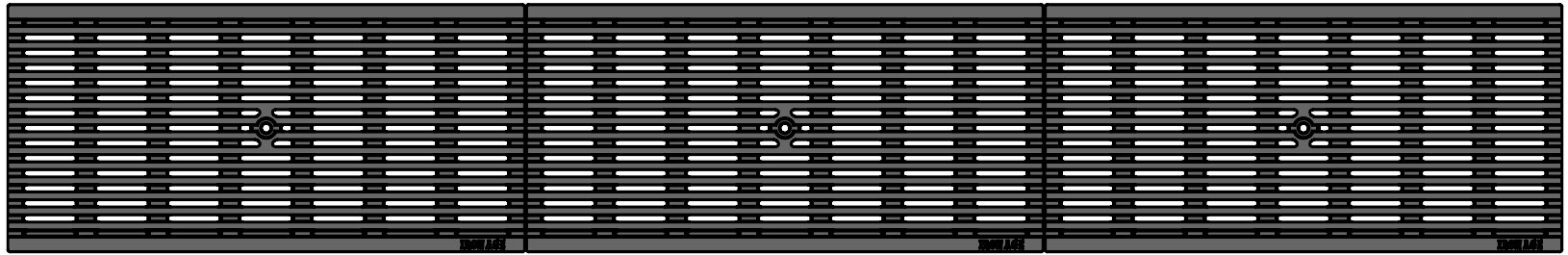
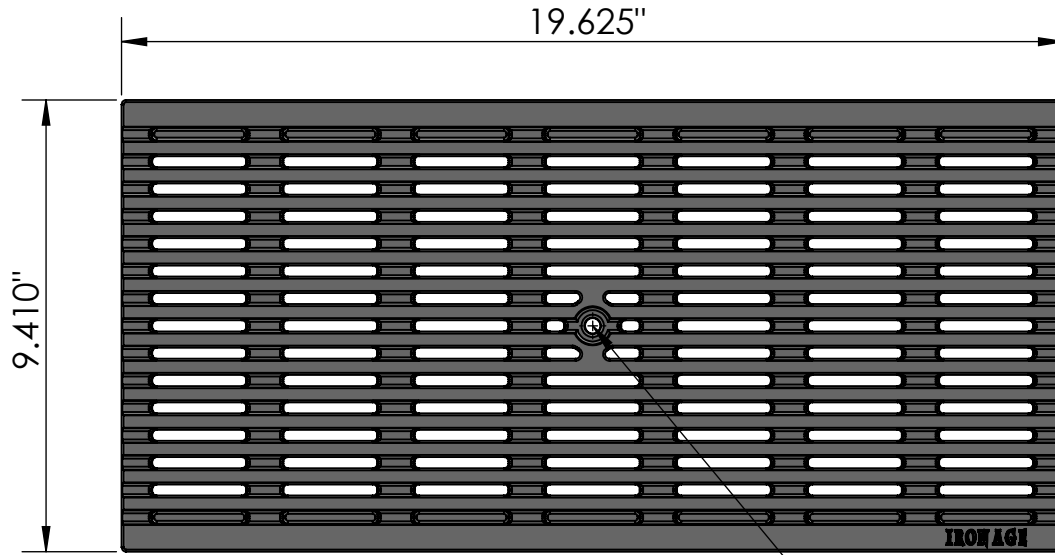


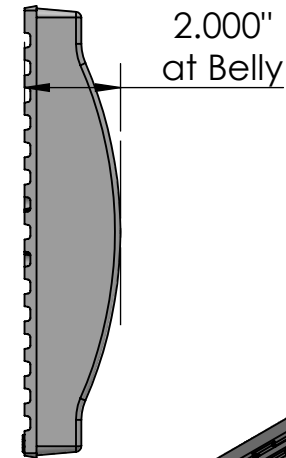
**3 ARRAY**  
scale 1:7



**TOP VIEW**  
scale 1:4



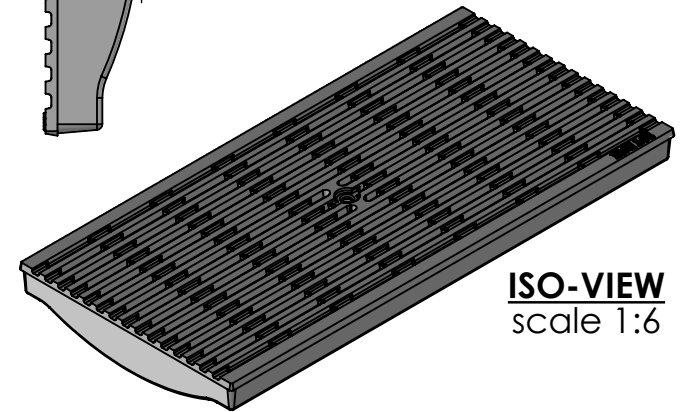
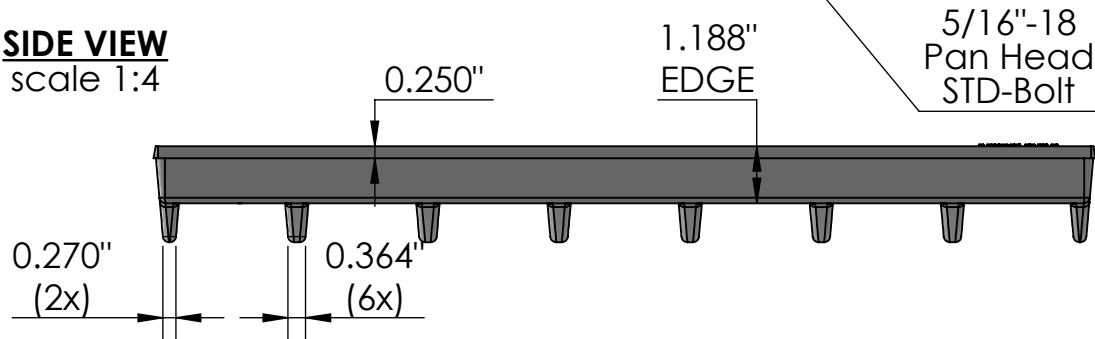
**END VIEW**  
scale 1:4



**CASTING-ID**  
scale 1:3



**SIDE VIEW**  
scale 1:4



**ISO-VIEW**  
scale 1:6

**NOTES:**

1. Heelproof: No thru openings greater than 1/4".
2. Ships in pieces: 1
3. Due to casting inconsistencies, all dimensions are nominal.

Made in USA ©2018 Iron Age Designs

**Que 10" x 20" Trench Grate - Heel Proof, Heavy Duty**

<p><b>IRON AGE</b> <b>DESIGNS</b> Telephone 206.276.0925 www.ironagegrates.com</p>	Material: Ductile Iron 65-45-12	Weight: 31.00 lbs.	Free Drain Area: 39.72 in/sq., or 21.51 %	By: MS	Checked: MS	Date: 3-20-24
	Finish: Raw	Edge: 1.1875"	Flow Rate: 52.03 GPM, or .115 CuFt./sec.	© Registration: Pending		Scale: NTS
	Fits: ACO-K200	Product ID: QUA10-20I24HPHD	Drawing Name: 03_QUE_A_10x20HPHD_TrenchGrate_Iron			