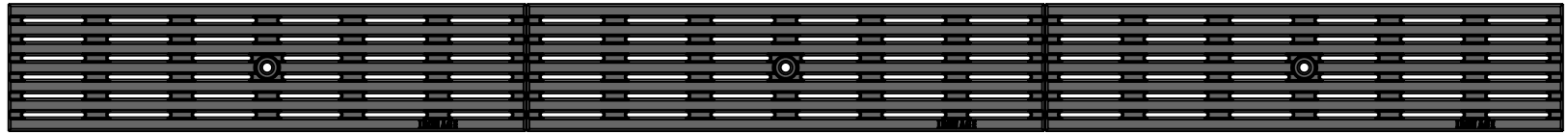
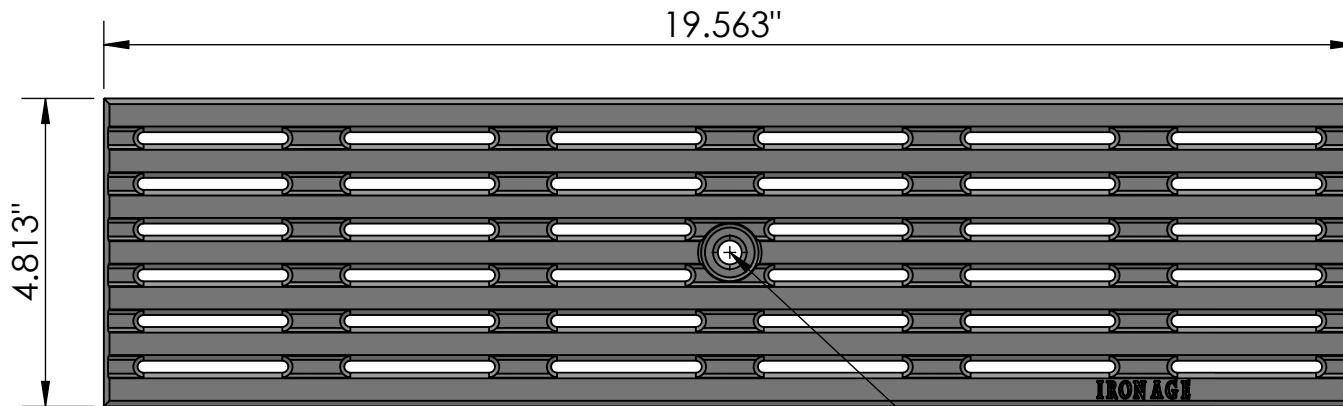


3 ARRAY
scale 1:7



TOP VIEW
scale 1:3

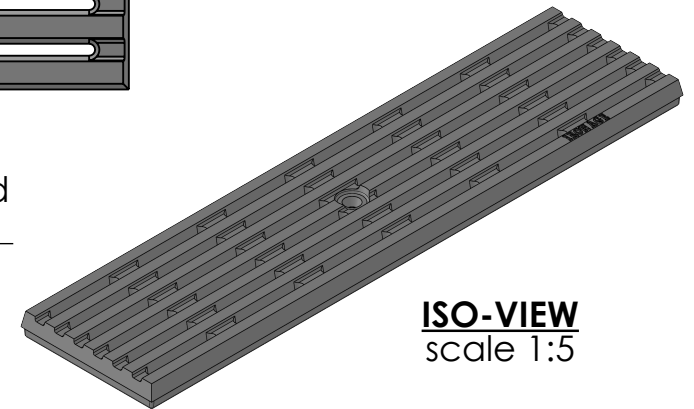


CASTING-ID
scale 1:1.5



5/16"-18
Pan Head
STD-Bolt

SIDE VIEW
scale 1:3




ISO-VIEW
scale 1:5

NOTES:

1. Heelproof: No thru openings greater than 1/4".
2. Ships in pieces: 1
3. Due to casting inconsistencies, all dimensions are nominal.

Made in USA ©2012 Iron Age Designs

Que 5" x 20" Trench Grate - Heel Proof

 IRON AGE DESIGNS Telephone 206.276.0925 www.ironagegrates.com	Material: Ductile Iron 65-45-12	Weight: 13.71 lbs.	Free Drain Area: 15.45 in/sq. or 16.41 %	By: MS Checked: MS Date: 11-23-22
	Finish: Raw	Edge: 0.813"	Flow Rate: 20.24 GPM or .045 CuFt./sec.	© Registration: Pending Scale: NTS
	Fits: ABT® PolyDrain® ACO™ K100, K100S, KS100 MEA® 1000 Series	Product ID: QUA5-20I21HP	Drawing Name: 02_QUE_A_5x20HP_TrenchGrate	