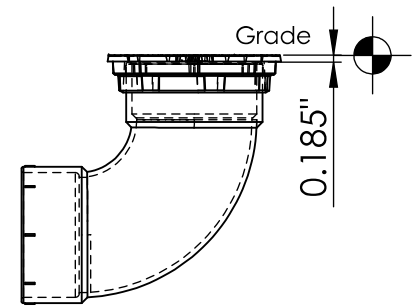
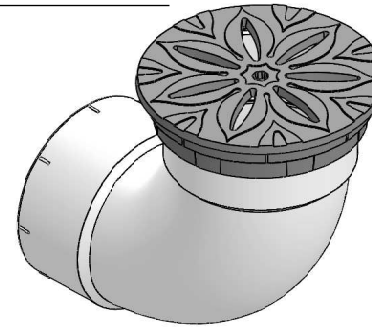
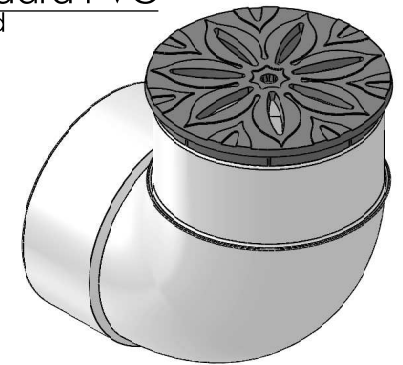
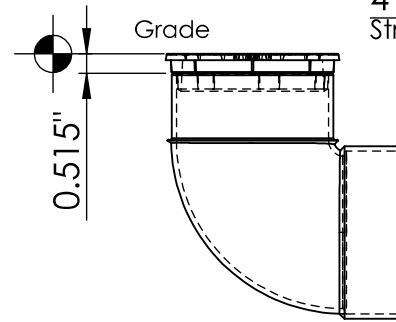


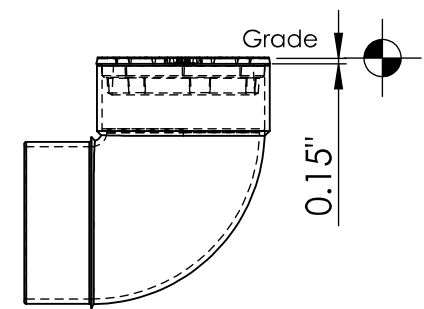
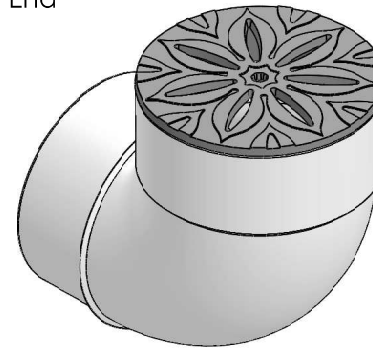
**3" Standard PVC  
Bell End**



**4" Standard PVC  
Street End**



**4" Standard PVC  
Bell End**



**NOTES:**

1. Material: cast iron
2. Baked-On-Oil Finish
3. Fits PVC Sch. 40 Pipe; 3" O.D. Bell End; 4" I.D.;  
4" I.D. Bell End
4. Heel-Proof: No openings greater than 1/4"
5. Weight approx. 1 lb
6. Due to casting inconsistencies all dimensions are nominal

**IRON AGE** 2104 SW 152nd St. #4 TEL 206.276.0925  
**DESIGNS** Burien, WA 98166 FAX 206.257.0318  
 www.ironagedesigns.com

**Anise 4" Dia. Heel-Proof Catch Basin Grate**

JOB NO. Drawn by: JH  
 DWG. NO. STA.4in\_pipe Date: 6/21/13  
 Scale: NTS