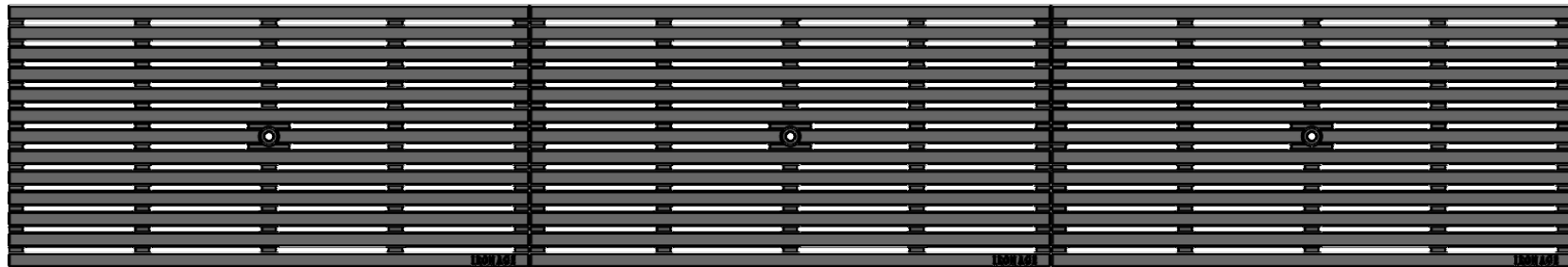
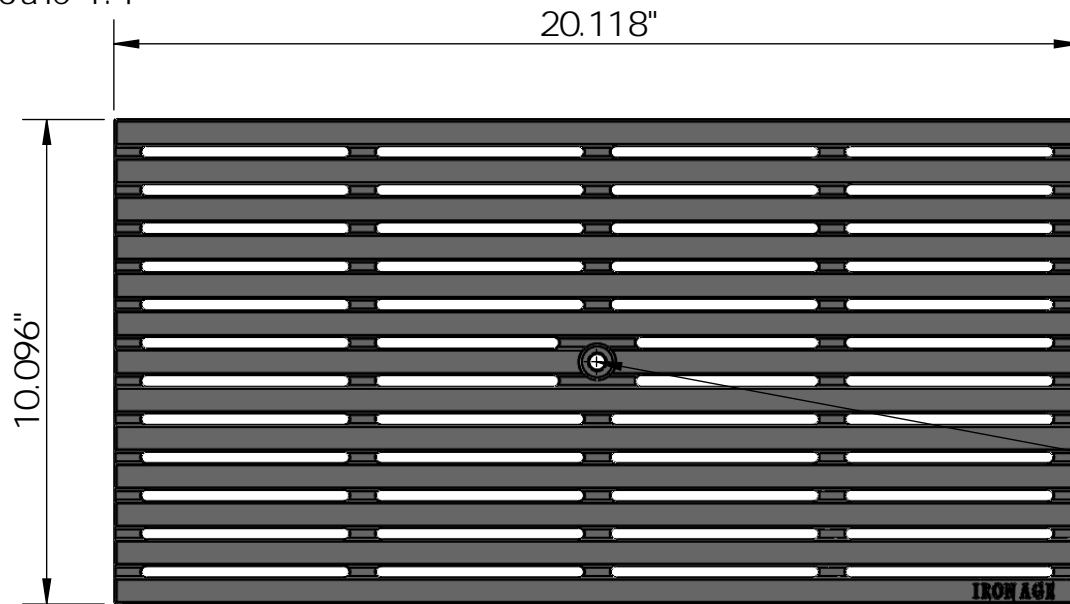


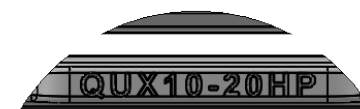
**3 ARRAY**  
scale 1:7



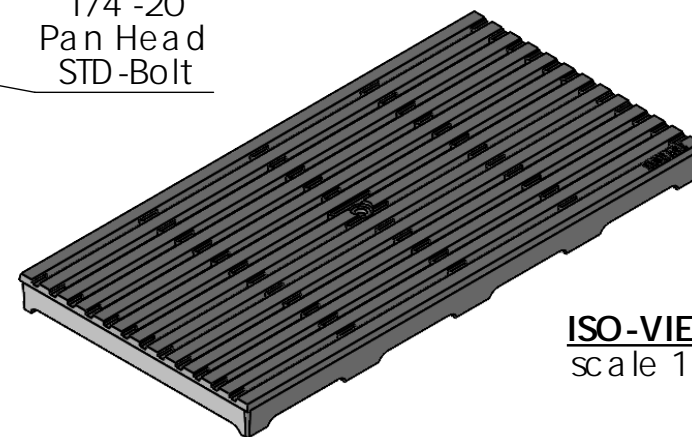
**TOP VIEW**  
scale 1:4



**CASTING-ID**  
scale 1:2



1/4"-20  
Pan Head  
STD-Bolt



**ISO-VIEW**  
scale 1:6

**SIDE VIEW**  
scale 1:4




**NOTES:**

1. Heelproof: No thru openings greater than 1/4".
2. Ships in pieces: 1
3. Due to casting inconsistencies, all dimensions are nominal.

Made in USA © 2024 Iron Age Designs

**Que 10' x 20' Trench Grate - Heel Proof**

 <b>IRON AGE DESIGNS</b> Telephone 206.276.0925 www.ironagegrates.com	Material:	Ductile Iron 65-45-12	Weight:	26.47lbs.	Free Drain Area:	47.61 in./sq., or 23.44 %	By:	MS	Checked:	MS	Date:	3-17-25
	Finish:	Raw	Edge:	1.375"	Flow Rate:	62.37 GPM, or .138 CuFt./sec.	© Registration:	Pending	Scale:	NTS		
	Fits:	ABT®PDX8	Product ID:	QUX10-20HP	Drawing Name:	01_Que_I_10x20HP_TrenchGrate_Iron						