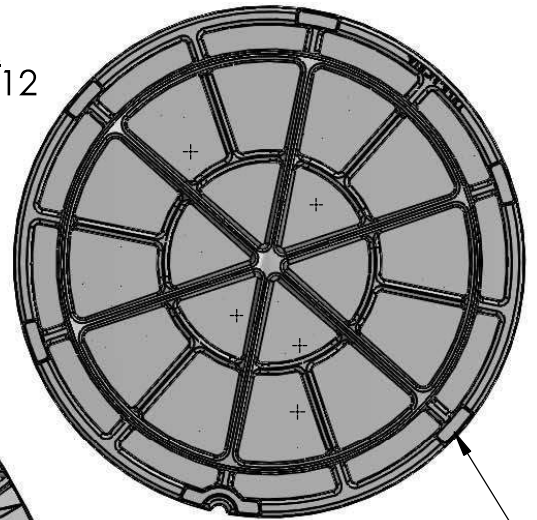


BACK
scale 1:12

TOP
scale 1:4

1" dia. pick hole



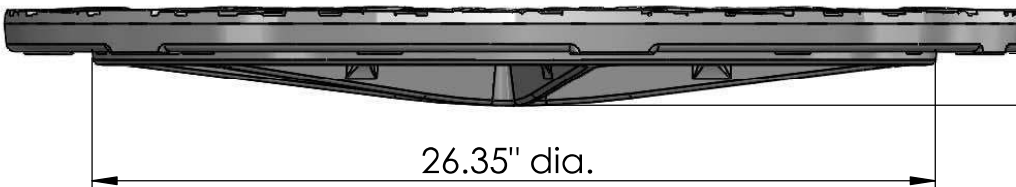
(6X)
leveling feet



$\phi 31.875"$ o.d.

EDGE
scale 1:4

1.375" @ edge



26.35" dia.

3" max

NOTES:

1. Materials: Cast Iron
2. Finish: Raw
3. Fits: EJIW 1810B4/V1600-4
4. Weight: approx. 150 lbs
5. Due to casting inconsistencies, all dimensions are nominal.



IRON AGE
DESIGNS

2104 SW 152nd St #4 TEL 206.276.0925
Burien, WA 98166 FAX 206.257.03182
www.ironagegrates.com

Tulie 32" Dia. Manhole Cover

JOB NO.

Drawn by: CD

DWG. NO. 02-TUL.EJ.32

Date: 07/14/15

Scale: NTS

© 2015 Iron Age Designs